

M12 Rear mounting with Mini USB 2.0



M12-Threaded Contact Rear mounting, Solder pin Mini-USB 2.0 Type B

Protection: IP 67
(Assembled with CAP)

Contacts: 5 + 1 Shield connection

Terminal: Solder Pin

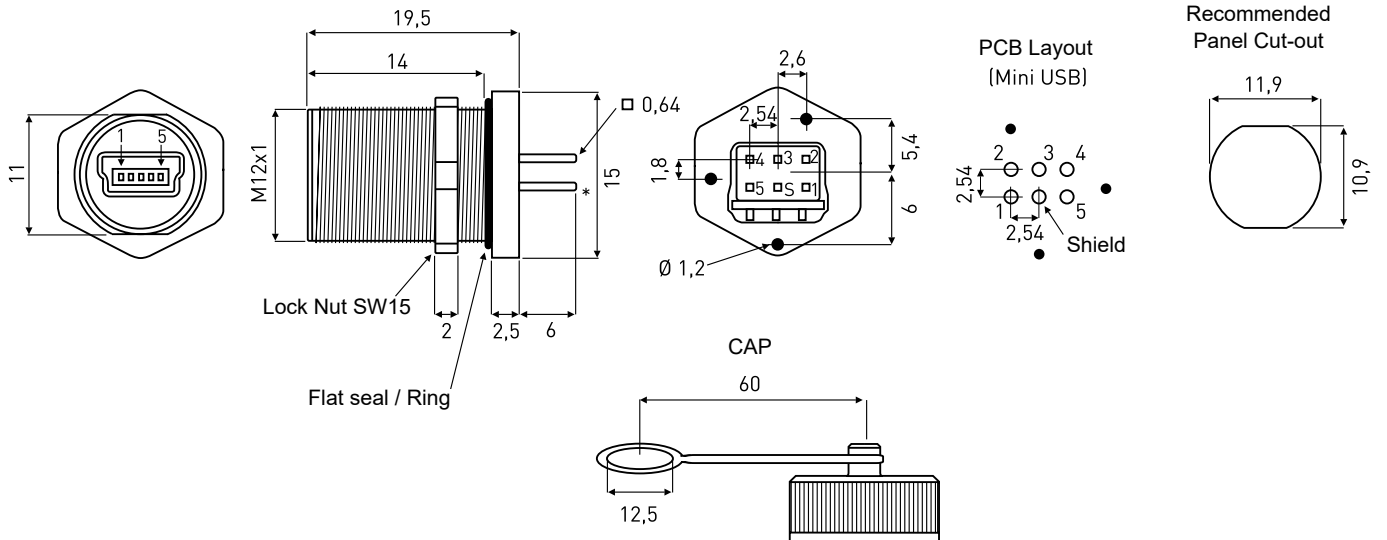
Housing material: Plastic, Black (PA)
UL 94-HB, black or metalized

Contact plating: Gold-plated

Kit: Including Gasket + Circular nut

Connection cable: See next page

(mm)



M12 Threaded Contact Rear mounting, Solder pin, Mini USB 2.0 Type B

Plastic
1310-0008-01

Metalized Plastic
1310-0008-02

Accessories

1310-0008-03

Plastic CAP

1310-0008-04

Lock Nut SW 15, 4mm thick