

## D-Sub Connectors

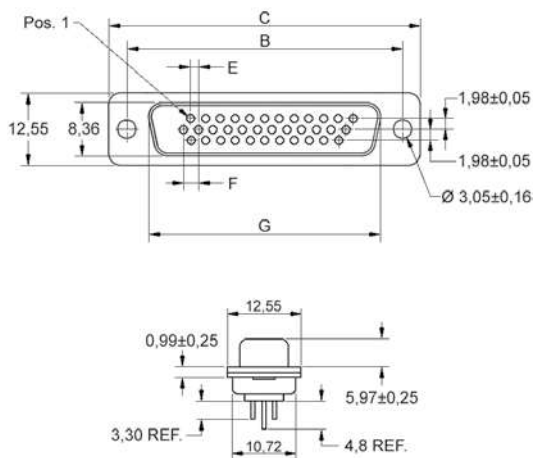
### HDD-Series – DIP Solder (PCB-Type)

#### Material Specification:

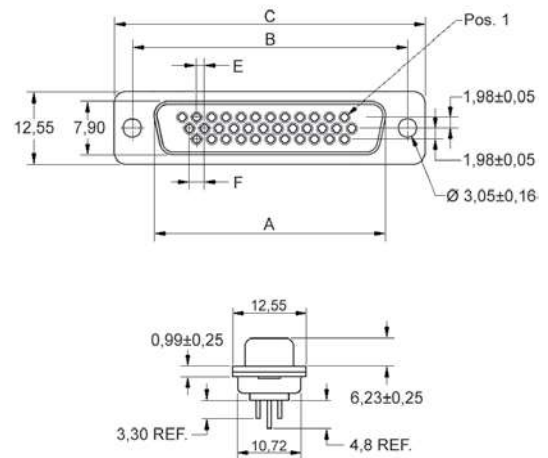
Insulator:	Glass filled Polyester, Black UL94 V-0
Shell:	Stamped Steel, Tin Plated
Contacts:	Copper Alloy Class 3: 100 inserts min.
Contact Plating:	Selective Gold over Nickel



Plug connector



Socket connector

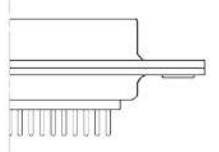


Size	A	B	C	E	F	G
HD15	16,33	24,99	30,81	1,145	2,99	16,62
HD26	24,66	33,32	39,14	1,145	2,99	25,25
HD44	38,38	47,04	53,04	1,145	2,99	38,96
HD62	54,84	63,50	69,32	1,205	2,41	55,25

#### Order Codes - Standard Type - with Ø 3.05mm Through Hole

##### Option X (Standard)

Ø 3.05mm Holes



##### Plug Connector

15	2103-0300-01	HDD-15-MTBS
26	2103-0300-02	HDD-26-MTBS
44	2103-0300-03	HDD-44-MTBS
62	2103-0300-04	HDD-62-MTBS

##### Socket Connector

15	2103-0300-11	HDD-15-FTBS
26	2103-0300-12	HDD-26-FTBS
44	2103-0300-13	HDD-44-FTBS
62	2103-0300-14	HDD-62-FTBS



Encitech Connectors AB  
Rörkullsvägen 4  
SE-302 41 HALMSTAD, Sweden

Tel: +46-(0)35-15 13 90  
e-mail: connectors@encitech.com

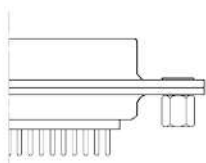
[www.encitech.com](http://www.encitech.com)

## D-Sub Connectors

### Order Codes - Option K - Back Nut UNC 4-40

#### Option K

Back Nut, UNC 4-40



#### Plug Connector

15	2103-0301-01	HDD-15-MTBS-K
26	2103-0301-02	HDD-26-MTBS-K
44	2103-0301-03	HDD-44-MTBS-K
62	2103-0301-04	HDD-62-MTBS-K

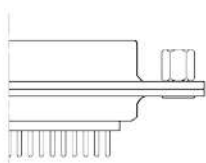
#### Socket Connector

15	2103-0301-11	HDD-15-FTBS-K
26	2103-0301-12	HDD-26-FTBS-K
44	2103-0301-13	HDD-44-FTBS-K
62	2103-0301-14	HDD-62-FTBS-K

### Order Codes - Option J - Front Nut UNC 4-40

#### Option J

Front Nut, UNC 4-40



#### Plug Connector

15	2103-0302-01	HDD-15-MTBS-J
26	2103-0302-02	HDD-26-MTBS-J
44	2103-0302-03	HDD-44-MTBS-J
62	2103-0302-04	HDD-62-MTBS-J

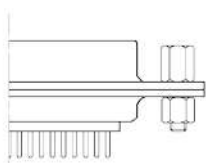
#### Socket Connector

15	2103-0302-11	HDD-15-FTBS-J
26	2103-0302-12	HDD-26-FTBS-J
44	2103-0302-13	HDD-44-FTBS-J
62	2103-0302-14	HDD-62-FTBS-J

### Order Codes - Option KJ - Back Nut + Screw Nut UNC 4-40

#### Option KJ

Back Nut, UNC 4-40 +  
Screw Nut, UNC 4-40



#### Plug Connector

15	2103-0303-01	HDD-15-MTBS-KJ
26	2103-0303-02	HDD-26-MTBS-KJ
44	2103-0303-03	HDD-44-MTBS-KJ
62	2103-0303-04	HDD-62-MTBS-KJ

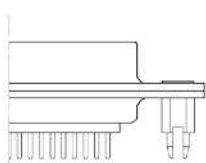
#### Socket Connector

15	2103-0303-11	HDD-15-FTBS-KJ
26	2103-0303-12	HDD-26-FTBS-KJ
44	2103-0303-13	HDD-44-FTBS-KJ
62	2103-0303-14	HDD-62-FTBS-KJ

### Order Codes - Option BR - Brackets for PCB with inner thread UNC 4-40

#### Option BR

Brackets for PCB  
Inner thread UNC 4-40



#### Plug Connector

15	2103-0304-01	HDD-15-MTBS-BR
26	2103-0304-02	HDD-26-MTBS-BR
44	2103-0304-03	HDD-44-MTBS-BR
62	2103-0304-04	HDD-62-MTBS-BR

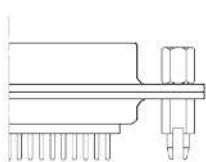
#### Socket Connector

15	2103-0304-11	HDD-15-FTBS-BR
26	2103-0304-12	HDD-26-FTBS-BR
44	2103-0304-13	HDD-44-FTBS-BR
62	2103-0304-14	HDD-62-FTBS-BR

### Order Codes - Option BR - Brackets for PCB with Screw Nut UNC 4-40

#### Option BRJ

Brackets for PCB +  
Screw Nut, UNC 4-40



#### Plug Connector

15	2103-0305-01	HDD-15-MTBS-BRJ
26	2103-0305-02	HDD-26-MTBS-BRJ
44	2103-0305-03	HDD-44-MTBS-BRJ
62	2103-0305-04	HDD-62-MTBS-BRJ

#### Socket Connector

15	2103-0305-11	HDD-15-FTBS-BRJ
26	2103-0305-12	HDD-26-FTBS-BRJ
44	2103-0305-13	HDD-44-FTBS-BRJ
62	2103-0305-14	HDD-62-FTBS-BRJ



Encitech Connectors AB

Rörkullsvägen 4  
SE-302 41 HALMSTAD, Sweden

Tel: +46-(0)35-15 13 90  
e-mail: connectors@encitech.com

[www.encitech.com](http://www.encitech.com)