

## D-Sub Connectors

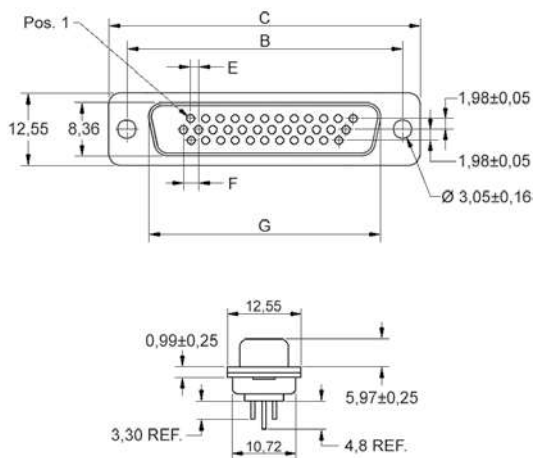
### HDD-Series – DIP Solder (PCB-Type)

#### Material Specification:

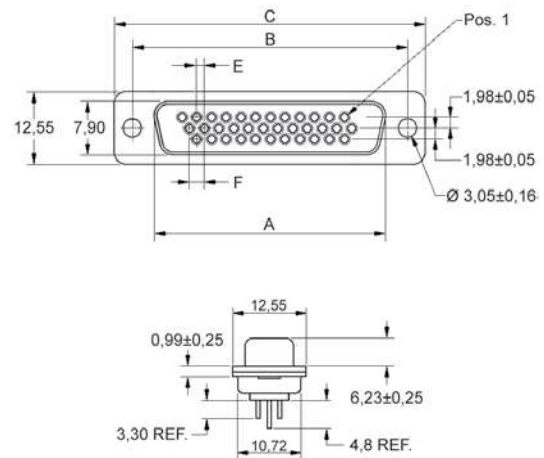
Insulator:	Glass filled Polyester, Black UL94 V-0
Shell:	Stamped Steel, Tin Plated
Contacts:	Copper Alloy Class 1: 500 inserts min.
Contact Plating:	Selective Gold over Nickel



Plug connector



Socket connector

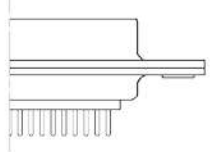


Size	A	B	C	E	F	G
HD15	16,33	24,99	30,81	1,145	2,99	16,62
HD26	24,66	33,32	39,14	1,145	2,99	25,25
HD44	38,38	47,04	53,04	1,145	2,99	38,96
HD62	54,84	63,50	69,32	1,205	2,41	55,25

#### Order Codes - Standard Type - with Ø 3.05mm Through Hole

##### Option X (Standard)

Ø 3.05mm Holes



##### Plug Connector

15	2103-0400-01	HDD-15-MTBM
26	2103-0400-02	HDD-26-MTBM
44	2103-0400-03	HDD-44-MTBM
62	2103-0400-04	HDD-62-MTBM

##### Socket Connector

15	2103-0400-11	HDD-15-FTBM
26	2103-0400-12	HDD-26-FTBM
44	2103-0400-13	HDD-44-FTBM
62	2103-0400-14	HDD-62-FTBM



Encitech Connectors AB

Rörkullsvägen 4  
SE-302 41 HALMSTAD, Sweden

Tel: +46-(0)35-15 13 90  
e-mail: connectors@encitech.com

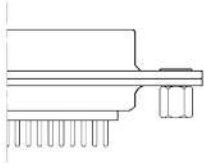
[www.encitech.com](http://www.encitech.com)

## D-Sub Connectors

### Order Codes - Option K - Back Nut UNC 4-40

#### Option K

Back Nut, UNC 4-40



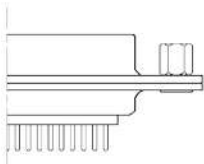
Plug Connector			
15	2103-0401-01	HDD-15-MTBM-K	
26	2103-0401-02	HDD-26-MTBM-K	
44	2103-0401-03	HDD-44-MTBM-K	
62	2103-0401-04	HDD-62-MTBM-K	

Socket Connector			
15	2103-0401-11	HDD-15-FTBM-K	
26	2103-0401-12	HDD-26-FTBM-K	
44	2103-0401-13	HDD-44-FTBM-K	
62	2103-0401-14	HDD-62-FTBM-K	

### Order Codes - Option J - Front Nut UNC 4-40

#### Option J

Front Nut, UNC 4-40



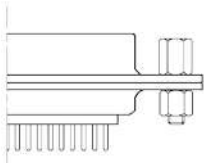
Plug Connector			
15	2103-0402-01	HDD-15-MTBM-J	
26	2103-0402-02	HDD-26-MTBM-J	
44	2103-0402-03	HDD-44-MTBM-J	
62	2103-0402-04	HDD-62-MTBM-J	

Socket Connector			
15	2103-0402-11	HDD-15-FTBM-J	
26	2103-0402-12	HDD-26-FTBM-J	
44	2103-0402-13	HDD-44-FTBM-J	
62	2103-0402-14	HDD-62-FTBM-J	

### Order Codes - Option KJ - Back Nut + Screw Nut UNC 4-40

#### Option KJ

Back Nut, UNC 4-40 +  
Screw Nut, UNC 4-40



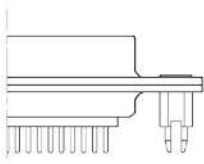
Plug Connector			
15	2103-0403-01	HDD-15-MTBM-KJ	
26	2103-0403-02	HDD-26-MTBM-KJ	
44	2103-0403-03	HDD-44-MTBM-KJ	
62	2103-0403-04	HDD-62-MTBM-KJ	

Socket Connector			
15	2103-0403-11	HDD-15-FTBM-KJ	
26	2103-0403-12	HDD-26-FTBM-KJ	
44	2103-0403-13	HDD-44-FTBM-KJ	
62	2103-0403-14	HDD-62-FTBM-KJ	

### Order Codes - Option BR - Brackets for PCB with inner thread UNC 4-40

#### Option BR

Brackets for PCB  
Inner thread UNC 4-40



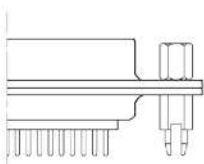
Plug Connector			
15	2103-0404-01	HDD-15-MTBM-BR	
26	2103-0404-02	HDD-26-MTBM-BR	
44	2103-0404-03	HDD-44-MTBM-BR	
62	2103-0404-04	HDD-62-MTBM-BR	

Socket Connector			
15	2103-0404-11	HDD-15-FTBM-BR	
26	2103-0404-12	HDD-26-FTBM-BR	
44	2103-0404-13	HDD-44-FTBM-BR	
62	2103-0404-14	HDD-62-FTBM-BR	

### Order Codes - Option BR - Brackets for PCB with Screw Nut UNC 4-40

#### Option BRJ

Brackets for PCB +  
Screw Nut, UNC 4-40



Plug Connector			
15	2103-0405-01	HDD-15-MTBM-BRJ	
26	2103-0405-02	HDD-26-MTBM-BRJ	
44	2103-0405-03	HDD-44-MTBM-BRJ	
62	2103-0405-04	HDD-62-MTBM-BRJ	

Socket Connector			
15	2103-0405-11	HDD-15-FTBM-BRJ	
26	2103-0405-12	HDD-26-FTBM-BRJ	
44	2103-0405-13	HDD-44-FTBM-BRJ	
62	2103-0405-14	HDD-62-FTBM-BRJ	



Encitech Connectors AB

Rörkullsvägen 4  
SE-302 41 HALMSTAD, Sweden

Tel: +46-(0)35-15 13 90  
e-mail: connectors@encitech.com

[www.encitech.com](http://www.encitech.com)