

D-Sub Connectors

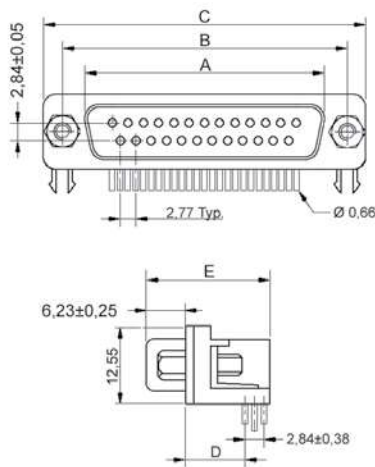
DRB-Series – Angled for PCB

Material Specification:

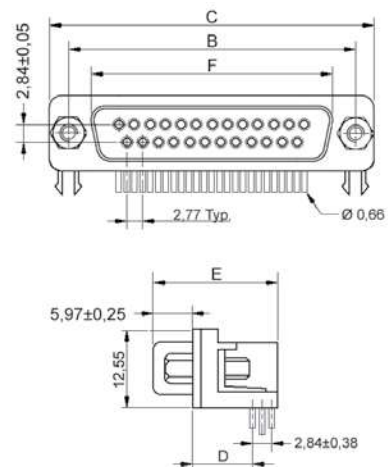
Insulator:	Glass filled Polyester, Black UL94 V-0
Shell:	Stamped Steel, Tin Plated
Contact pins:	Copper Alloy
Stamped & Formed Pins	Class 3, 100 inserts min.
Contact Plating:	Selective Gold over Nickel



Plug connector



Socket connector



Size	A	B	C	D	E	F
9	16,92	25,00	30,8	9,4	21,0±0,38	16,30
15	25,25	33,30	39,2	9,4	21,0±0,38	24,60
25	38,96	47,10	53,1	9,4	21,0±0,38	38,30
37	55,42	63,50	69,4	9,4	21,0±0,38	54,80

Order Codes:

Plug Connector		DRB - 9.4mm
09	2103-2100-01	DRB-09M-TBG-110
15	2103-2100-02	DRB-15M-TBG-110
25	2103-2100-03	DRB-25M-TBG-110
37	2103-2100-04	DRB-37M-TBG-110

Socket Connector		DRB - 9.4mm
09	2103-2100-11	DRB-09F-TBG-110
15	2103-2100-12	DRB-15F-TBG-110
25	2103-2100-13	DRB-25F-TBG-110
37	2103-2100-14	DRB-37F-TBG-110

All parts are equipped with UNC 4-40 Front Nut and Snap-in Brackets as standard.

