

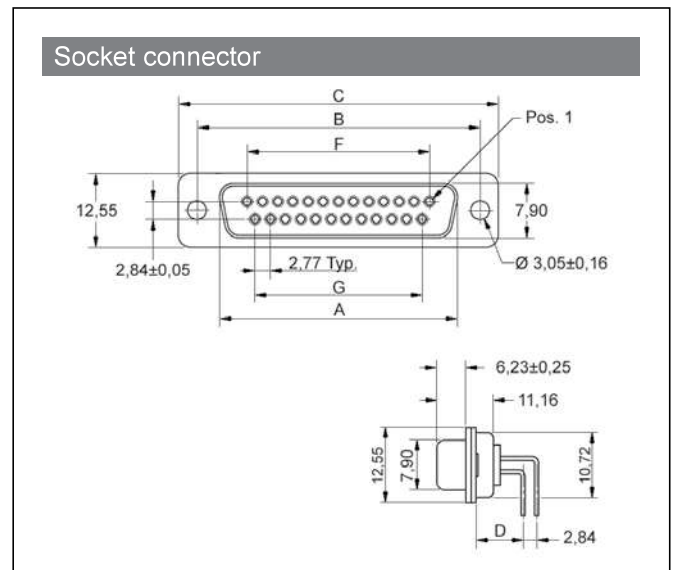
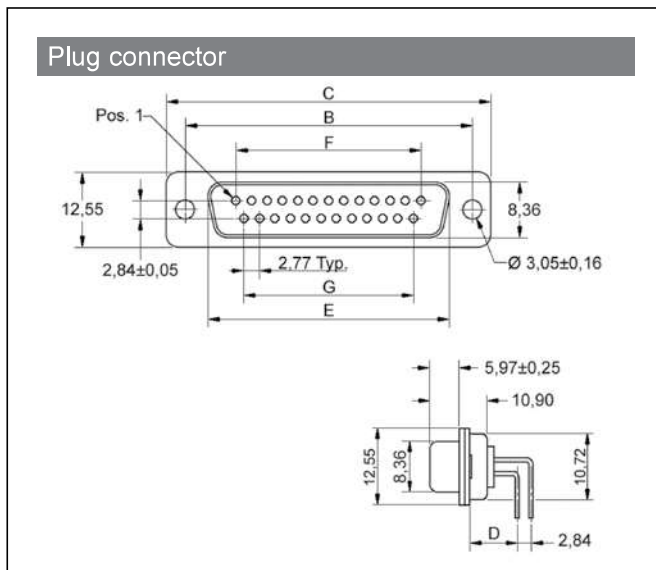
## D-Sub Connectors

### DD-Series – Angled D Connectors, 9.4mm

#### Material Specification:

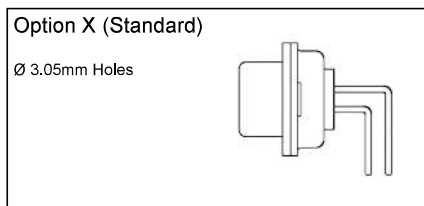
Insulator:	Glass filled Polyester, Black UL94 V-0
Shell:	Stamped Steel, Tin Plated
Contacts pins:	Machined pins
Contact pin material:	Copper Alloy
Contact Plating:	Gold over Nickel as standard Class 3, 100 inserts min. Other class on request

7.2mm footprint (Angled, RAM) available on request.



Size	A	B	C	D: (RBM)	E	F	G
9	16,92	24,99	30,81	9,4	16,33	11,08	8,31
15	25,25	33,32	39,14	9,4	24,66	19,39	16,62
25	38,96	47,04	53,04	9,4	38,38	33,24	30,47
37	55,25	63,50	69,32	9,4	54,84	49,86	47,09
50*	Available on request						

#### Order Codes - Standard Type - with Ø 3.05mm Through Hole



Plug Connector		
09	2103-2200-01	DD09-MTBG-RBM
15	2103-2200-02	DD15-MTBG-RBM
25	2103-2200-03	DD25-MTBG-RBM
37	2103-2200-04	DD37-MTBG-RBM
50	2103-2200-05	DD50-MTBG-RBM

Socket Connector		
09	2103-2200-11	DD09-FTBG-RBM
15	2103-2200-12	DD15-FTBG-RBM
25	2103-2200-13	DD25-FTBG-RBM
37	2103-2200-14	DD37-FTBG-RBM
50	2103-2200-15	DD50-FTBG-RBM



Encitech Connectors AB  
Rörkullsvägen 4  
SE-302 41 HALMSTAD, Sweden

Tel: +46-(0)35-15 13 90  
e-mail: connectors@encitech.com

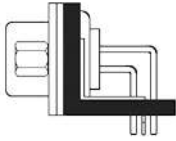
[www.encitech.com](http://www.encitech.com)

## D-Sub Connectors

### Order Codes - Option 11P - Front Nut UNC 4-40 with Plastic Rack + Snap-in-Bracket

#### Option 11P

Front Nut, UNC 4-40 +  
Snap in Bracket  
Plastic Rack



#### Plug Connector

09	2103-2201-01	DD09-MTBG-RBM-11P
15	2103-2201-02	DD15-MTBG-RBM-11P
25	2103-2201-03	DD25-MTBG-RBM-11P
37	2103-2201-04	DD37-MTBG-RBM-11P
50	2103-2201-05	DD50-MTBG-RBM-11P

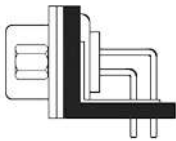
#### Socket Connector

09	2103-2201-11	DD09-FTBG-RBM-11P
15	2103-2201-12	DD15-FTBG-RBM-11P
25	2103-2201-13	DD25-FTBG-RBM-11P
37	2103-2201-14	DD37-FTBG-RBM-11P
50	2103-2201-15	DD50-FTBG-RBM-11P

### Order Codes - Option 12P - Front Nut UNC 4-40 with Plastic Rack + Non-Threaded-"L-Bracket"

#### Option 12P

Front Nut, UNC 4-40 +  
Non threaded Bracket  
Plastic Rack



#### Plug Connector

09	2103-2202-01	DD09-MTBG-RBM-12P
15	2103-2202-02	DD15-MTBG-RBM-12P
25	2103-2202-03	DD25-MTBG-RBM-12P
37	2103-2202-04	DD37-MTBG-RBM-12P
50	2103-2202-05	DD50-MTBG-RBM-12P

#### Socket Connector

09	2103-2202-11	DD09-FTBG-RBM-12P
15	2103-2202-12	DD15-FTBG-RBM-12P
25	2103-2202-13	DD25-FTBG-RBM-12P
37	2103-2202-14	DD37-FTBG-RBM-12P
50	2103-2202-15	DD50-FTBG-RBM-12P



**Encitech Connectors AB**

Rörkullsvägen 4  
SE-302 41 HALMSTAD, Sweden

Tel: +46-(0)35-15 13 90  
e-mail: connectors@encitech.com

[www.encitech.com](http://www.encitech.com)