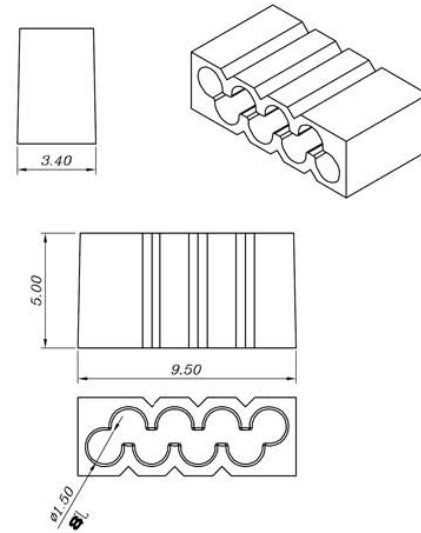
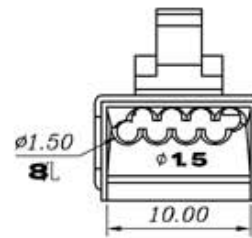
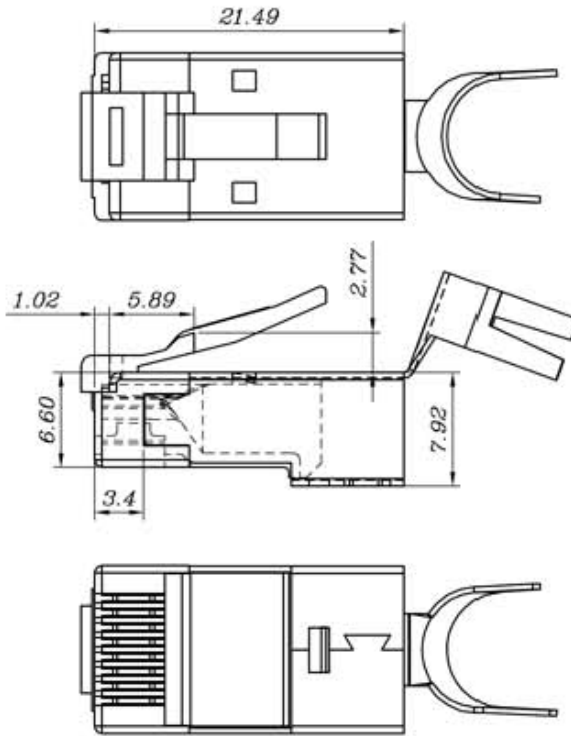
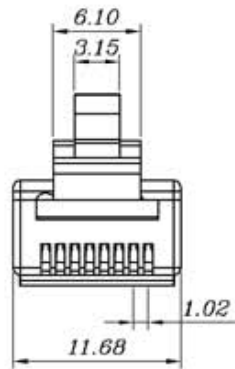




THIS IS A RoHS  
COMPLIANT  
COMPONENT/  
PRODUCT.



### SPECIFICATIONS

- ELECTRICAL:**  
 UL APPLICATIONS: 250 VOLTS AC MAX. AT 2 AMPS  
 DIELECTRIC WITHSTANDING VOLTAGE: 500 VAC  
 INSULATION RESISTANCE: 500 MEGAOHM  
 CONTACT RESISTANCE: 20 MILLIOHM MAX
- MECHANICAL:**  
 CABLE-TO-PLUG TENSILE STRENGTH: 20 LBS MIN  
 DURABILITY: 200 MATING CYCLES
- MATERIAL AND FINISH:**  
 HOUSING: POLYCARBONATE UL94V-2  
 COLOR: TRANSPARENT  
 CONTACT BLADE: COPPER ALLOY  
 CONTACT PLATING: 50U" GOLD PLATING  
 CONDUCTOR: STRANDED OR SOLID WIRE AWG22-24  
 WIRE OD 1.35 TO 1.50MM

△ X0	0009000	NEW DESIGN	LINGER	071307	
MARK	ECN-NO.	REVISION RECORD	DRAWN	DATE	
		UNLESS OTHERWISE SPECIFIED TOLERANCE		SCALE	
		Dimension Range	Tolerance	CHECKED	
		X.X	±0.20	UNIT	APPROVED
		X.XX	±0.15	mm	
		X.XXX	±0.10	SIZE	
		ANGLE	±5°	SIZE	
Material/Plated/Notes		NAME			
SEE NOTE		RJ-45-8P8C-S-C6A-02 CAT6A SHIELDED MOD. PLUG, WITH INSERT			
Tooling No.		PART NO.	REV.		
		3202-0105-04			
		DOC. NO.			