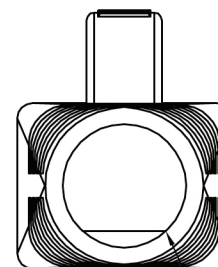
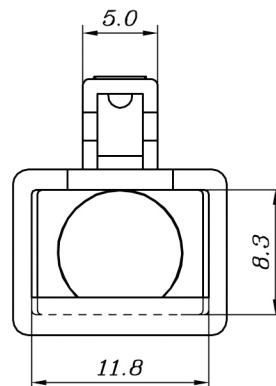
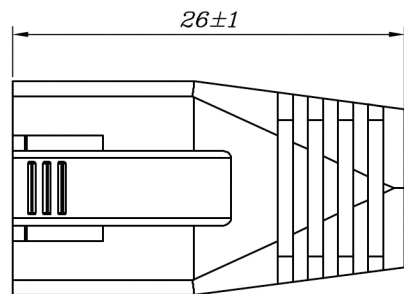
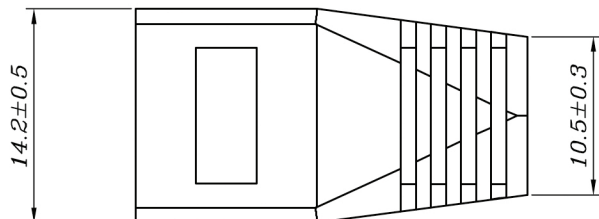
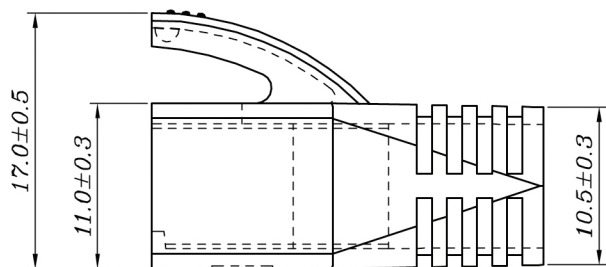
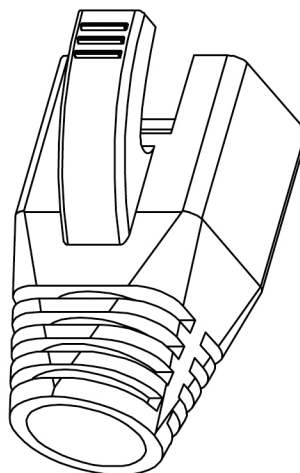
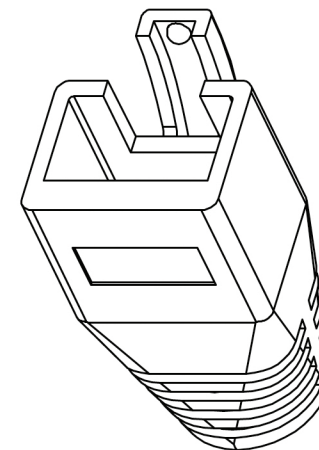


No.	Changes and/or Note No.	Date	Sign	No.	Changes and/or Note No.	Date	Sign



TYP1Ø7.0
TYP2Ø7.5
TYP3Ø8.0



yy	Colour
LG	Light Grey
DG	Dark Grey
BL	Blue
YW	Yellow
GR	Green
BK	Black
PU	Purple
WH	White
OR	Orange
RD	Red

xx	Cable Ø
70	7.0mm
75	7.5mm
80	8.0mm

DATE	2013-11-13	DRAWN	MRR	SCALE	FREE	MATERIAL TYPE	PVC
		APPROVED				REPLACES	
		Strain Relief Boot 02-123-xx-yy					
						DRAWING No.	6688-1013