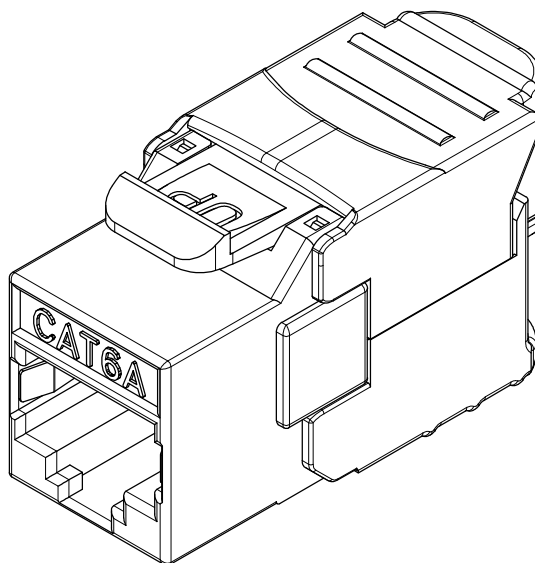
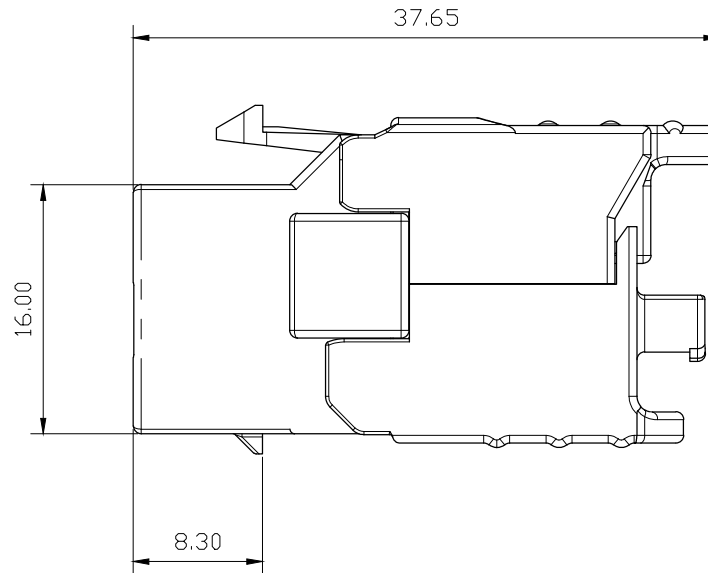
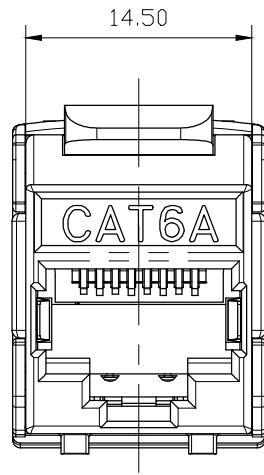


RoHS

THIS IS A RoHS  
COMPLIANT  
COMPONENT/  
PRODUCT.



**NOTES:**

ELECTRICAL:

1. VOLTAGE RATING: 125 VAC RMS.
2. CURRENT RATING: 1.5 AMP.
3. CONTACT RESISTANCE: 100 MILLIOHMS MAX.
4. INSULATION RESISTANCE: 1000 MEGOHMS MIN @ 500 VDC.
5. DIELECTRIC STRENGTH: 750 VAC RMS 60Hz, 1MIN.
6. C6A CONNECTING HARDWARE:  
CONFORM TO ANSI/TIA/EIA-568 B.2-1

ENVIRONMENTAL:

1. STORAGE: -40°C TO +85°C.
2. OPERATION: -40°C TO +85°C.

CONFORM TO TIA/EIA 568B  
MATES WITH MODULAR PLUG CONFORMING TO  
TIA-1096-A.

MECHANICAL:

1. HOUSING MATERIAL: UL94V-0
2. INSERT MATERIAL: UL94V-0
3. PCB MATERIAL: FR-4
4. CONTACT MATERIAL: PHOSPHOR BRONZE
5. IDC CONTACT MATERIAL: PHOSPHOR BRONZE  
WITH SILVER OR NICKEL PLATING
6. WIRE: #22~26AWG

△ X0	0069000	NEW DESIGN		Wing	091118	
MARK	ECN-NO.	REVISION RECORD		DRAWN	DATE	
		UNLESS OTHERWISE SPECIFIED TOLERANCE		SCALE	CHECKED	
		Dimension Range	Tolerance	2/1	APPROVED	
		X.X	±0.20	UNIT	mm	
		X.XX	±0.15	SIZE	A3	SHEET
Material/Plated/Notes		NAME		C6A Slim Type Keystone Jack TYPE2		
SEE NOTE		PART NO.		REV.		
		326I-0006-I0		X		
Tooling No.		DOC. NO.				