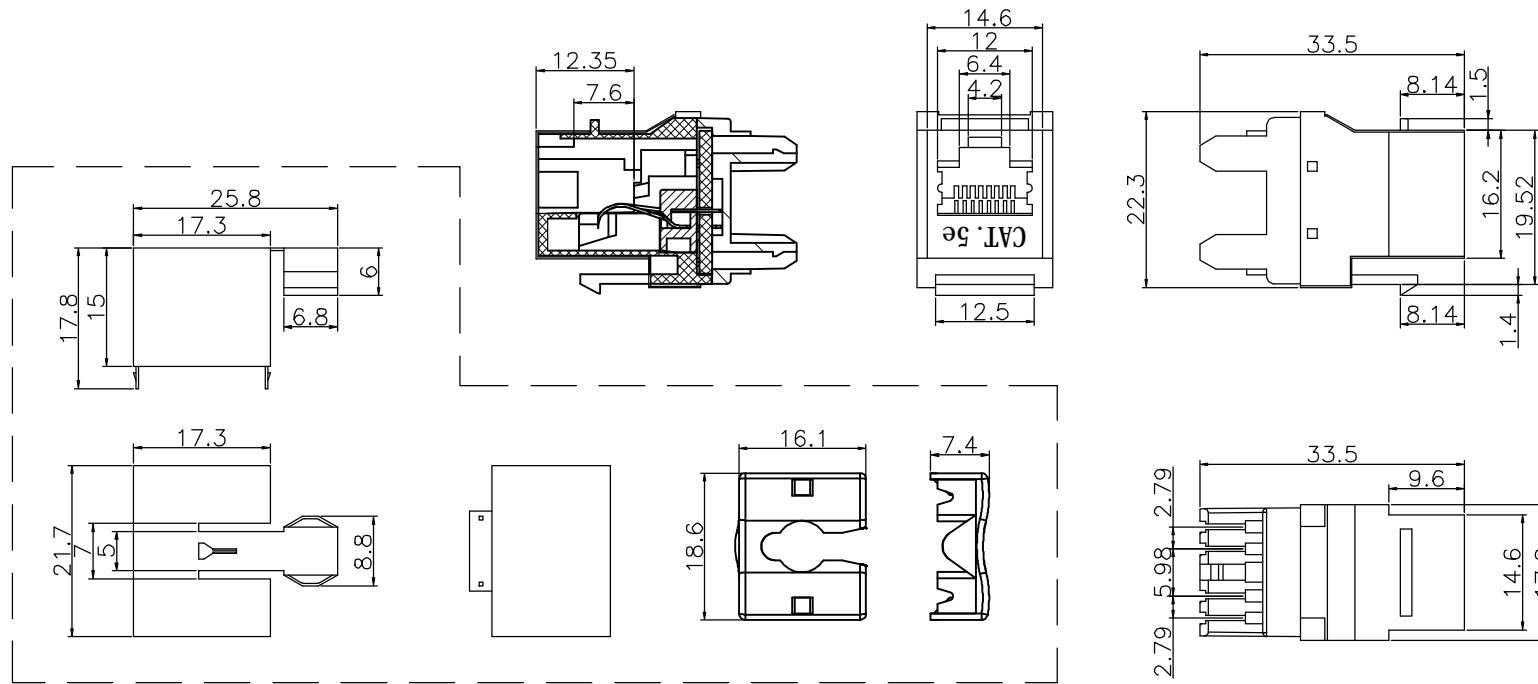


ROHS

THIS IS A RoHS
COMPLIANT
COMPONENT/
PRODUCT.



NOTES:

ELECTRICAL:

- 1. VOLTAGE RATING : 125 VAC
- 2. CURRENT RATING : 1.5 AMP.
- 3. CONTACT RESISTANCE : 100 MILLIOHMS MAX.
- 4. INSULATION RESISTANCE : 1000 MEGOHMS MIN. @ 500 VDC.
- 5. DIELECTRIC STRENGTH : 750 VAC 60Hz, 1MIN.

MECHANICAL:

- 1. HOUSING MATERIAL : PC UL94V-0
- 2. INSERT MATERIAL : GLASS FILLED POLYESTER UL94V-0 WHITE.
- 3. PCB MATERIAL : FR-4 THICKNESS 1.6 mm
- 4. CONTACT MATERIAL : PHOSPHOR BRONZE STAMP PIN t=0.35 mm
- 5. SHIELD MATERIAL : C2680 T=0.3 mm, TIN PLATING 120u"~150u"

ENVIRONMENTAL:

- 1. STORAGE: -40°C TO +85°C.
- 2. OPERATION: 0°C TO 70°C.

CONFORMING TO TIA/EIA 568B.2-1

MATES WITH MODULAR PLUG CONFORMING TO TIA-1096-A.

	0069000	NEW DESIGN	HENRY	011317'
MARK	ECN-NO.	REVISION RECORD	DRAWN	DATE
	UNLESS OTHERWISE SPECIFIED TOLERANCE		SCALE	CHECKED
	Dimension Range Tolerance		1/1	
	X.X	±0.20	UNIT	APPROVED
	X.XX	±0.15	mm	
X.XXX	±0.10	SIZE	A3	SHEET 1/1
ANGLE	±5°			
Material/Plated/Notes		NAME		
SEE NOTE		CAT.5e KESY TONE JACK, FTP		
Tooling No.	PART NO.	3261-0011-05	REV.	
	DOC. NO.		0	