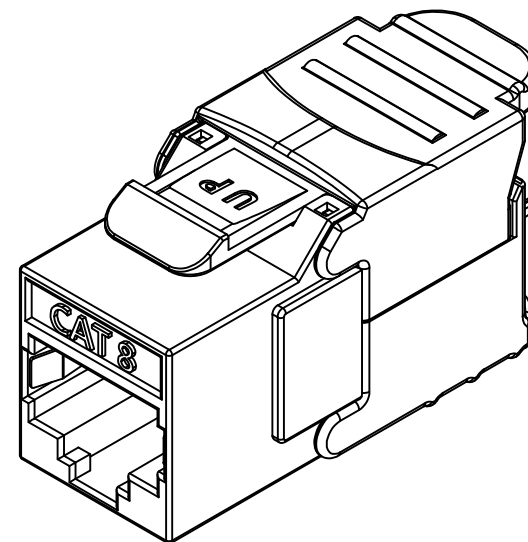
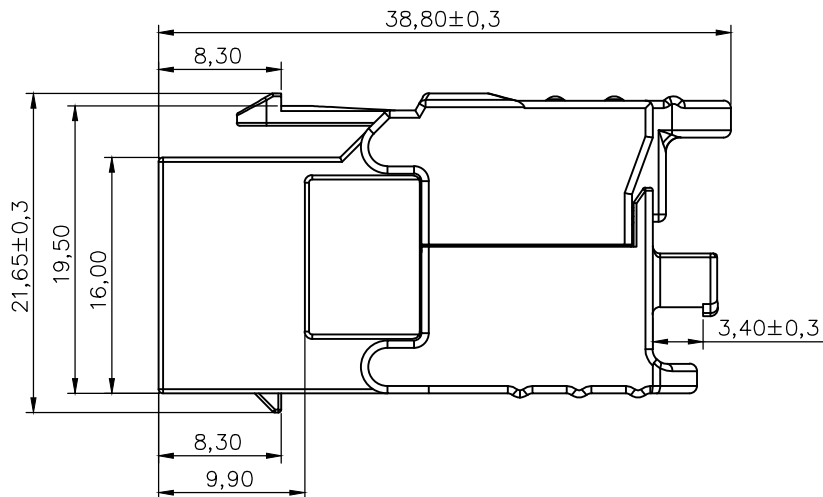
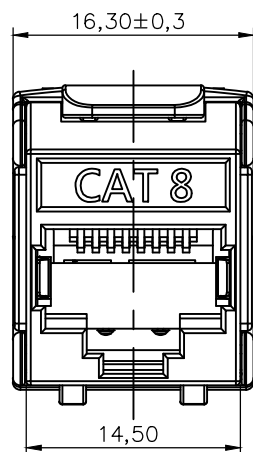


RoHS

THIS IS A RoHS  
COMPLIANT  
COMPONENT/  
PRODUCT.



NOTES:

ELECTRICAL:

1. VOLTAGE RATING 125 VAC RMS.
2. CURRENT RATING 1.5 AMP.
3. CONTACT RESISTANCE 100 MILLIOHMS MAX.
4. INSULATION RESISTANCE 1000 MEGOHMS MIN @ 500 VDC.
5. DIELECTRIC STRENGTH: 750 VAC RMS 60Hz,1MIN.
6. PERFORMANCE: CONFORM TO ANSI/TIA-568.2-D

ENVIRONMENTAL:

1. STORAGE: -40°C TO +85°C.
2. OPERATION: -40°C TO +85°C.

MECHANICAL:

- 1.HOUSING MATERIAL: UL94V-0
- 2.INSERT MATERIAL: UL94V-0
- 3.PCB MATERIAL: FR-4
- 4.CONTACT MATERIAL:PHOSPHOR BRONZE
- 5.IDC CONTACT MATERIAL:PHOSPHOR BRONZE
- 6.WIRE: #22~24AWG

△ X0	000000	NEW DESIGN	Wing	091118	
MARK	ECN-NO.	REVISION RECORD	DRAWN	DATE	
		UNLESS OTHERWISE SPECIFIED TOLERANCE	SCALE	CHECKED	
		Dimension Range	2/1	APPROVED	
		X.X	±0.20	UNIT	mm
		X.XX	±0.15	SIZE	A3
Material/Plated/Notes		ANGLE	±5°	SHEET 1/1	
SEE NOTE		NAME	C8 Slim Type Keystone Jack		
Part/Reg No.		PART NO.	326I-0023-0I	REV. 0	
		DOC. NO.			