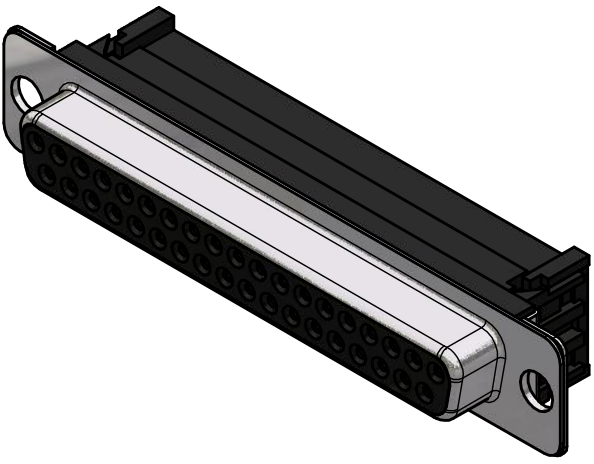
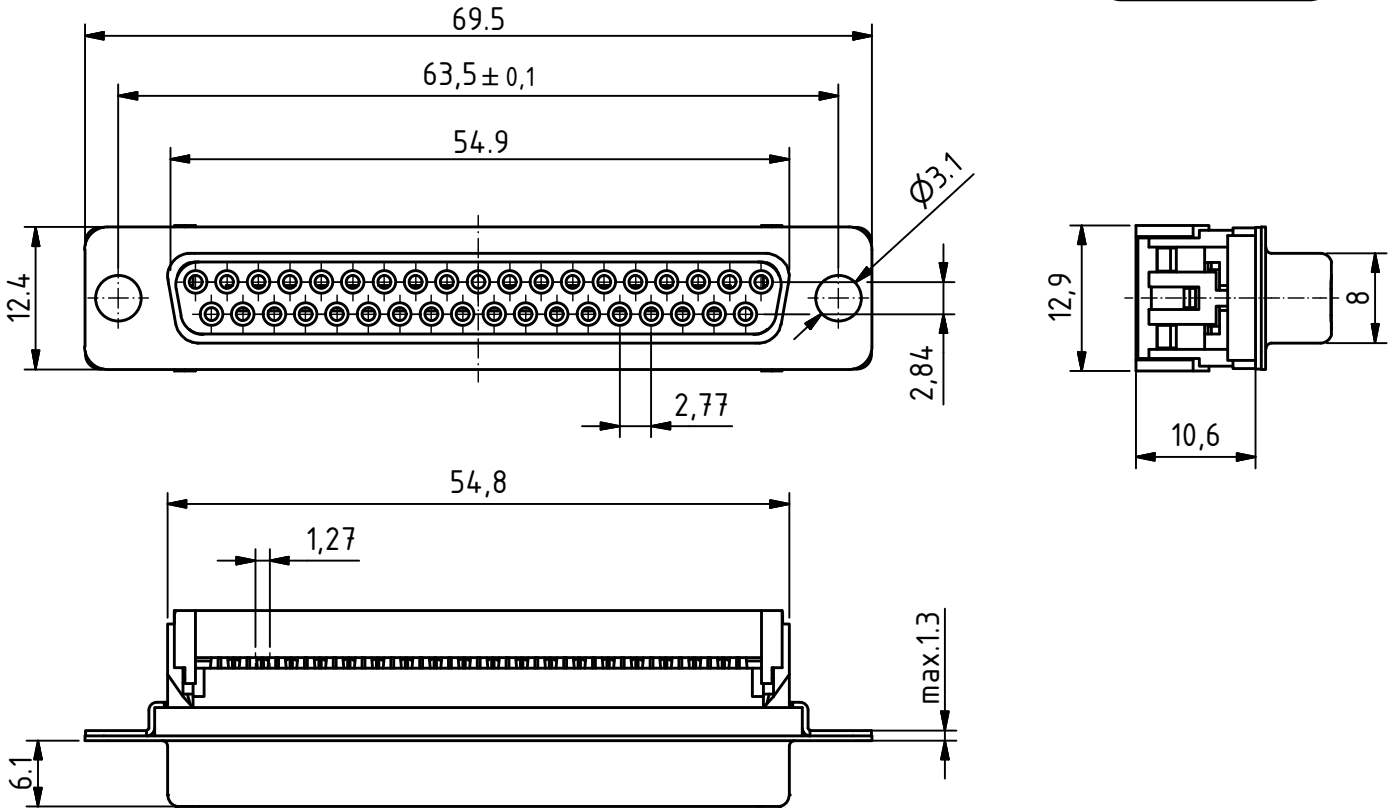


RoHS compliant



suitable for cable AWG 28-26

MATERIALS

- Insulator: Thermoplastic UL 94-V-0 black
- Contact: Machined / Copper alloy
- Contact finish: Quality class 2
- Shell: Steel tin plated

General tolerances (Deltron standard)			
size in mm	> 0.5 up to 3	> 3 up to 6	> 6 up to 30
tolerances	±0.1	±0.2	±0.2
			> 30 up to 120
			±0.3

	All dimensions in mm	Rev.	Rev.	Rev.	DE017698		
		Rev.	Rev.	Rev.	part no.		
DTS37SFC/2-A				1.5:1 scale	drawn	29.03.2019	rop
					checked		
				approved			
				Industrie Neuhof 8c CH-3422 Kirchberg www.d-sub.swiss		K063478	
						drawing no.	