

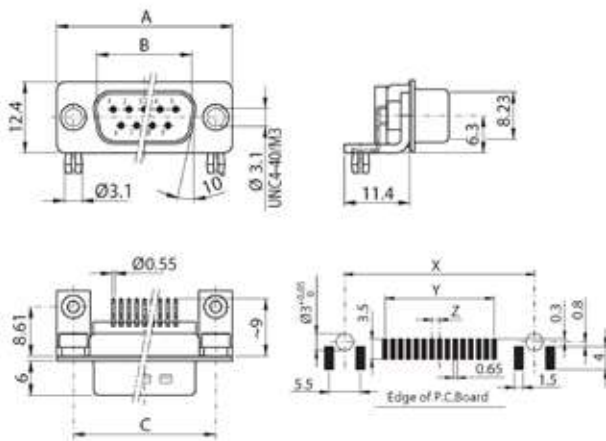
## 90° SMD Connectors

### Specifications:

Insulator:	UL94 V-0, TP
Shell:	Stamped Steel, Tin Plated
Contacts:	Copper Alloy
Contact Plating:	Gold over Nickel
Class 2:	200 mating cycles as standard Other class on request
Mounting Height:	6.3mm
Threaded Insert:	UNC 4-40 M3 on request

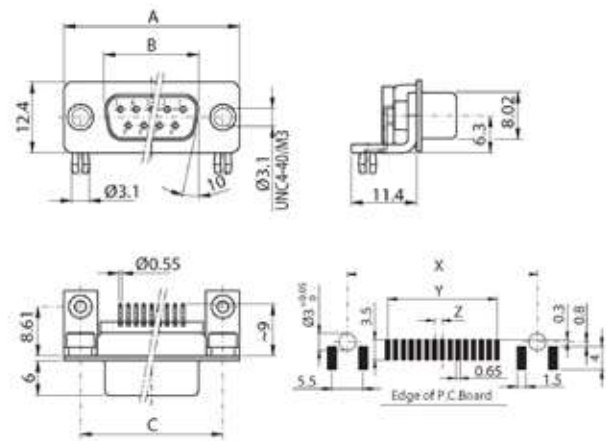


### Plug connector



Size	A	B	C/X	Y	Z
09	30.80	16.79	25.00	10.98	1.37
15	39.20	25.12	33.30	19.20	1.37
25	53.10	38.84	47.00	33.12	1.38
37	69.50	55.30	63.50	49.68	1.38

### Socket connector



Size	A	B	C/X	Y	Z
09	30.80	16.46	25.00	10.98	1.37
15	39.20	24.79	33.30	19.20	1.37
25	53.10	38.50	47.00	33.12	1.38
37	69.50	54.96	63.50	49.68	1.38

### Order Codes:

#### Plug Connector

09	3320-0100-01	DTS09 PYCSMD/2 UN
15	3320-0100-02	DTS15 PYCSMD/2 UN
25	3320-0100-03	DTS25 PYCSMD/2 UN
37	3320-0100-04	DTS37 PYCSMD/2 UN

#### Socket Connector

09	3320-0100-11	DTS09 SYCSMD/2 UN
15	3320-0100-12	DTS15 SYCSMD/2 UN
25	3320-0100-13	DTS25 SYCSMD/2 UN
37	3320-0100-14	DTS37 SYCSMD/2 UN

