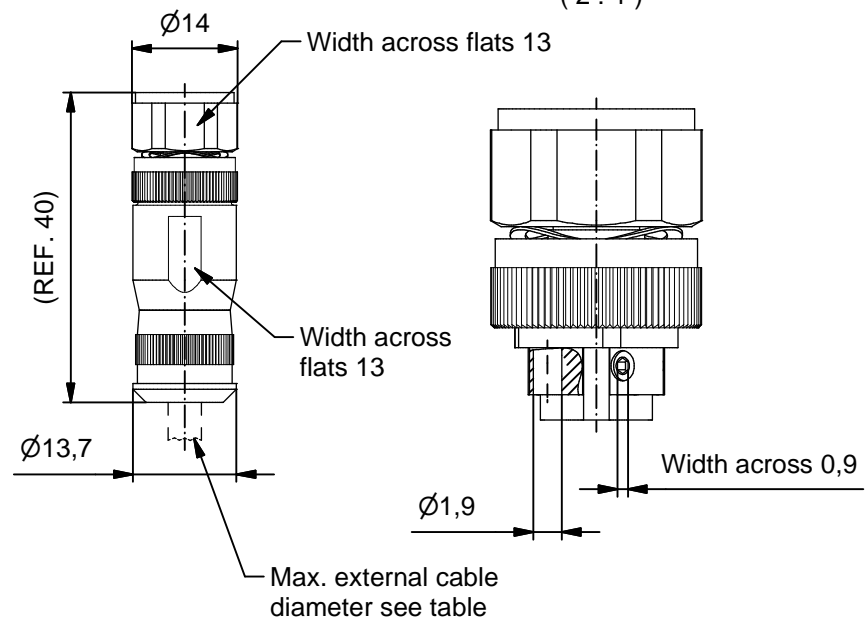




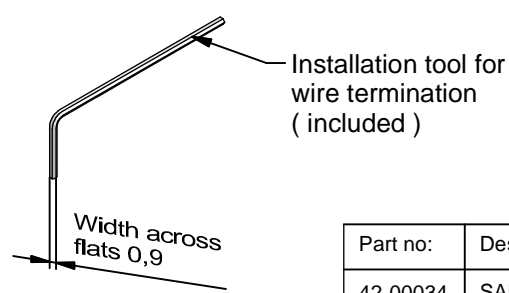
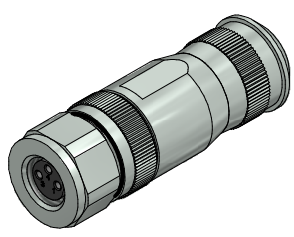
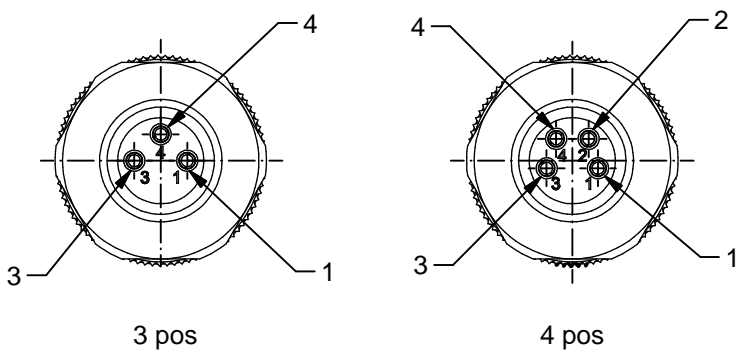
Inner view
(2 : 1)



Technical specification:
 Rated voltage: 50 V AC / 60 V DC
 IEC 61076-2-104
 Current rating: 4 A at 40°C
 IEC 61076-2-104 with 0,5 mm²
 Insulation resistance: >=100 MΩ
 IEC 60512
 Pollution degree: 3/2
 IEC 60664-1
 Degree of protection: IP 67, in mated condition
 IEC 60529
 Temperature range: -30°C ... +85°C
 EN 60512-11-10
 EN 60512-11-4
 -40°C ... +85°C
 Mating cycles: >=100
 IEC 60512-9a
 Wire cross section: max. 0,5 mm²
 AWG 20

Materials:
 Contact: CuZn, Ni b / Au 0,2 gal.
 Contact carrier: PA, UL 94 V-0
 Cable sealing: NBR
 Cable cage: PA6 GF, UL 94 HB
 Sealing connector: FPM
 chassis: Silicone / NBR
 Coupling nut: CuZn, Ni
 Housing: CuZn, Ni

Installation specification:
 Recommended torque: 0,4 Nm
 Conec installation tooling: Torque wrench: 36-000200
 Insert across flats 13: 36-000220



Part no:	Description:	Pos:	Cable-Ø:
42-00034	SAL-8S-RKC3-S6,5	3	5 - 6,5mm
42-00036	SAL-8S-RKC4-S6,5	4	5 - 6,5mm

DO NOT ALTER CAD DRAWING BY HAND	RoHS & REACH compliant	Index: c 01.09.2015 MG Ä5292 Description changed, data sheet revised	dim. in mm	title: Female connector M8x1, field attachable, axial, shielded, with screw termination dwg no: 42K1A325 part no: see table		
					date	name
			drawn		01.10.12	Gitinow
			appd.		05.10.12	Hüther
general tolerance: 0 ± 0,50mm 0,0 ± 0,25mm 0,00 ± 0,10mm x ± 5°						
THIS DRAWING MAY NOT BE COPIED OR REPRODUCED IN ANY WAY, AND MAY NOT BE PASSED ON TO A THIRD PARTY WITHOUT WRITTEN PERMISSION. OWNERSHIP AND COPYRIGHT OF CONEC GmbH						

