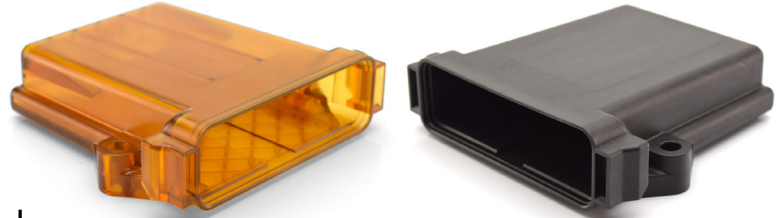




ARMORIPX™

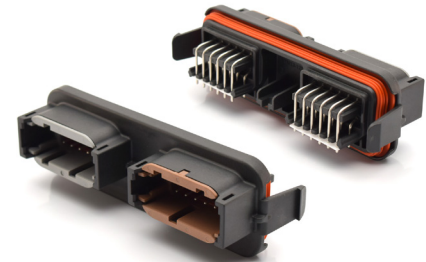


Sealed Enclosures for Circuit Boards

The Amphenol **Armor IPX™ Sealed Enclosure** provides superior protection for printed circuit boards and electronic control modules in harsh environments and off-road applications. Simplified installation is accomplished via a rugged tandem through-hole design for ease of mounting and includes optional environmental venting. Available in two enclosure material types: Thermoplastic or clear Ultem®. The **Armor IPX™** electrical interface is established with the compact **ATM™ Header System** featuring optional keying and sealed 90° molded pins. The snap-in headers quickly and securely attach to the **Armor IPX™** enclosure and mate with standard **ATM™ Series** plugs. Blank headers are also available to assist in establishing additional connector interface flexibility.

Key Features

- Intermatable with industry standard connectors
- Optional header configurations - ATM™ Series 24 I/O (A, B, C & D Keying)
- Rugged tandem through-hole design for ease of mounting
- Snap-in headers establish ease of interface with PCB
- Cross hatch design increases venting protection
- Resistant to most fluids used in industrial applications



Available Options

- Vented enclosures (environmental venting)
- Enclosures with thermoplastic black or clear Ultem® material
- Headers with optional tin- or gold-plated pins

Technical Specifications

Temperature Range	Headers/Thermoplastic Black Enclosure: -55°C to +125°C Clear Ultem® Enclosure: -40°C to +170°C
Temperature (Humidity)	320 Hr
Temperature (Life)	1000 Hr
UV Exposure	500 Hr
Max. Current (AMP)	7.5A @ 85°C (ATM™ Headers)
IP Ratings	IP67/69K
Contact Resistance	<10mΩ
Insulation Resistance	>1000MΩ @ 500 VDC
Current Cycling	500 Hr
Salt Fog	96 Hr

Vibration	10 to 2000Hz – 20g peak level – XYZ – 24 Hr
Shock	50g - 20 pulses
Housing Body	Glass-filled polymer
Headers/Black Enclosure	Glass-filled polymer
Clear Enclosure	Unfilled PEI
Pins	Brass, Post Tin or Gold plated
Sealing Material	Silicone Rubber
RoHS	Compliant



A Series™ Family

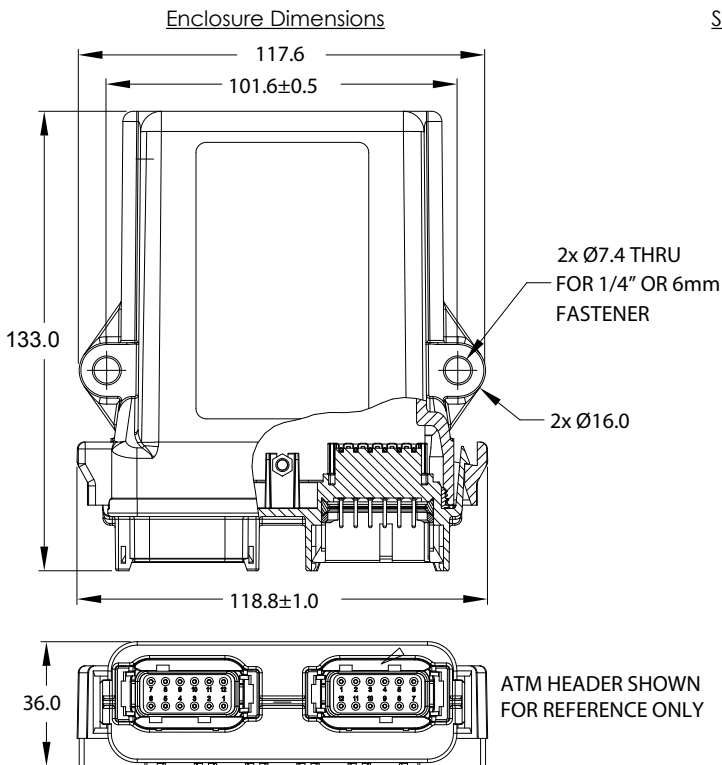


Standard products. Custom solutions
Customer Service +1 800 394 7732

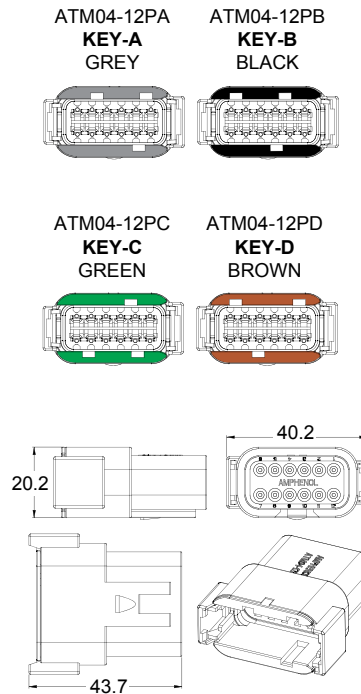
Armor IPX Series™ Enclosures & Headers

Image	Part Number	Description	Amperage	Voltage
	AIPXE-325X4A	Black, Thermoplastic, ATM™ EEC with Venting Hole	-	-
	AIPXE-325X4B	Black, Thermoplastic, ATM™ EEC without Venting Hole	-	-
	AIPXE-325X4A-E016	Clear, Ultem®, ATM™ EEC with Venting Hole	-	-
	AIPXE-325X4B-E016	Clear, Ultem®, ATM™ EEC without Venting Hole	-	-
	ATM13-12PA-12PB-BM01	ATM™ Header, Thermoplastic, (2) 12 Position size 20, A&B Key - Gold Plating	7.5A	250V
	ATM13-12PA-12PC-BM01	ATM™ Header, Thermoplastic, (2) 12 Position size 20, A&C Key - Gold Plating	7.5A	250V
	ATM13-12PA-12PD-BM01	ATM™ Header, Thermoplastic, (2) 12 Position size 20, A&D Key - Gold Plating	7.5A	250V
	ATM13-12PB-12PC-BM01	ATM™ Header, Thermoplastic, (2) 12 Position size 20, B&C Key - Gold Plating	7.5A	250V
	ATM13-12PB-12PD-BM01	ATM™ Header, Thermoplastic, (2) 12 Position size 20, B&D Key - Gold Plating	7.5A	250V
	ATM13-12PC-12PD-BM01	ATM™ Header, Thermoplastic, (2) 12 Position size 20, C&D Key - Gold Plating	7.5A	250V
	ATM13-12PA-12PB-BM03	ATM™ Header, Thermoplastic, (2) 12 Position size 20, A&B Key - Tin Plating	7.5A	250V
	ATM13-12PA-12PC-BM03	ATM™ Header, Thermoplastic, (2) 12 Position size 20, A&C Key - Tin Plating	7.5A	250V
	ATM13-12PA-12PD-BM03	ATM™ Header, Thermoplastic, (2) 12 Position size 20, A&D Key - Tin Plating	7.5A	250V
	ATM13-12PB-12PC-BM03	ATM™ Header, Thermoplastic, (2) 12 Position size 20, B&C Key - Tin Plating	7.5A	250V
	ATM13-12PB-12PD-BM03	ATM™ Header, Thermoplastic, (2) 12 Position size 20, B&D Key - Tin Plating	7.5A	250V
	ATM13-12PC-12PD-BM03	ATM™ Header, Thermoplastic, (2) 12 Position size 20, C&D Key - Tin Plating	7.5A	250V

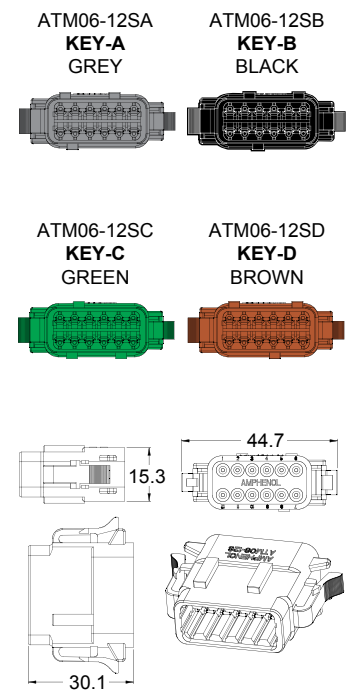
*Images for reference only



Standard ATM™ Receptacle Dimensions



Standard ATM™ Plug Dimensions



Dimensions in mm

For more information, contact: Customer Service, +1 800 394 7732, csr@amphenol-sine.com