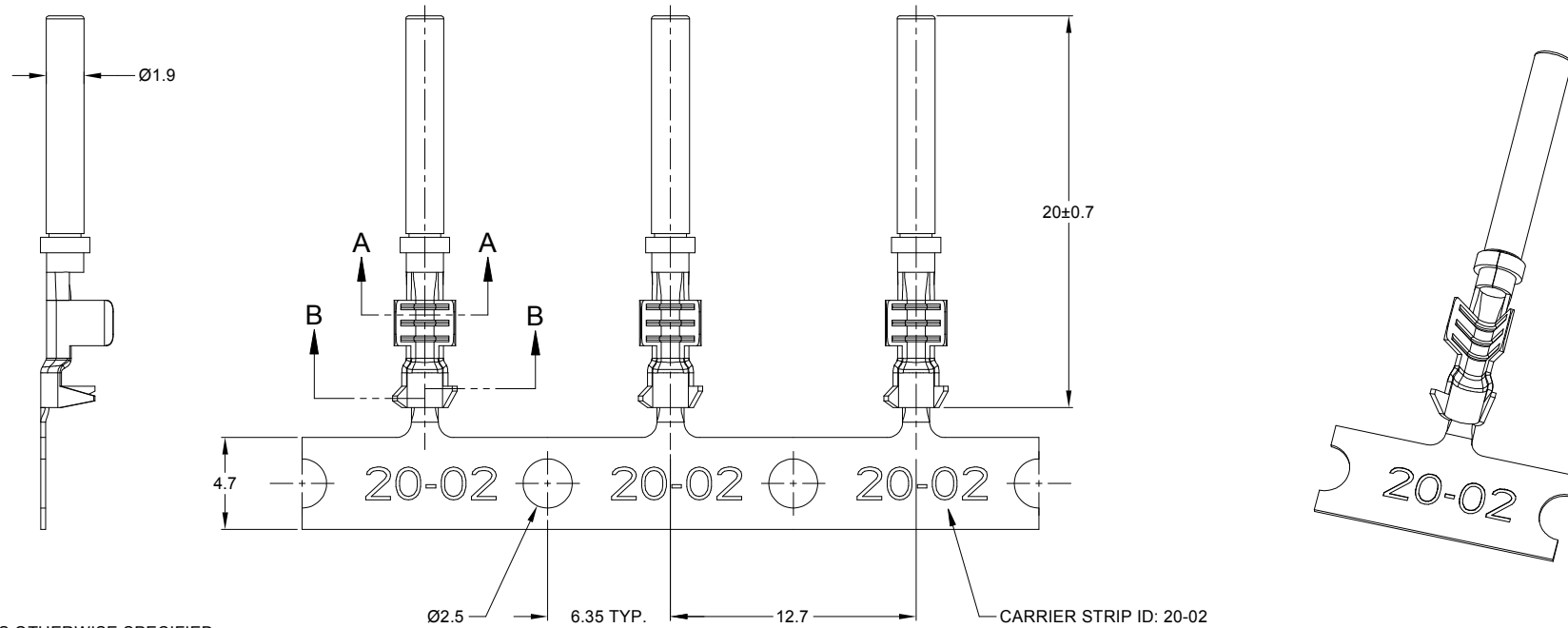
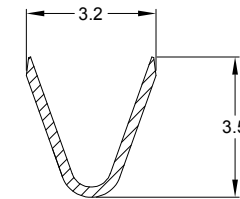
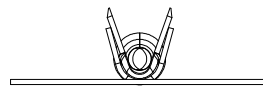


REVISIONS					
REV	ECO	DESCRIPTION	DATE	BY	APPR
A1	-	RELEASE NEW PRODUCT	15/JUL/19	ROOKIE	TOMMY

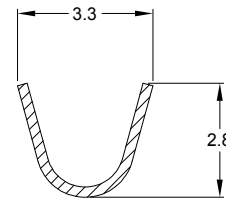


NOTES: UNLESS OTHERWISE SPECIFIED

- MATERIAL: COPPER ALLOY
- PLATING: SEE PART NUMBER CHART
*FOR GOLD PLATED CONTACTS: SELECTIVE GOLD FLASH IN CONTACT ZONE OR ENTIRE CONTACT.
- CONTACT SIZE: 20
- SPECIFICATIONS:
 - CURRENT RATING: 7.5 AMPS
 - CONTACT MILLIVOLT DROP: 100 MILLIVOLT DROP MAXIMUM AT 7.5 AMP TEST CURRENT.
 - RoHS COMPLIANT
- RECOMMENDED WIRE RANGE: 16 - 22 AWG
RECOMMENDED INSUL O.D: 1.30 - 2.16 MM
- PACKAGE: 4000PCS/REEL
- AVAILABLE APPLICATORS: MFX-3974-K OR MFX-3974-G
- ALL DIMENSIONS ARE FOR REFERENCE USE ONLY



SECTION A-A



SECTION B-B

PART NUMBER CHART	
PLATING	PART NUMBER
NICKEL	AT62-20-0222
GOLD	AT62-20-0244
TIN	AT62-20-0277

PART NUMBER CHART		REF: 1062-20-0222, 1062-20-0244, 1062-20-0277													
QUANTITY	PART NUMBER	DESCRIPTION	ITEM												
<table border="1"> <thead> <tr> <th colspan="2">SIGNATURES</th> <th>DATE</th> </tr> </thead> <tbody> <tr> <td>DRAWN: ROOKIE</td> <td>CHECKED: ORION</td> <td>15/JUL/19</td> </tr> <tr> <td>ENGINEER:</td> <td>APPROVAL: TOMMY</td> <td>15/JUL/19</td> </tr> <tr> <td colspan="3">CUSTOMER:</td> </tr> </tbody> </table>				SIGNATURES		DATE	DRAWN: ROOKIE	CHECKED: ORION	15/JUL/19	ENGINEER:	APPROVAL: TOMMY	15/JUL/19	CUSTOMER:		
SIGNATURES		DATE													
DRAWN: ROOKIE	CHECKED: ORION	15/JUL/19													
ENGINEER:	APPROVAL: TOMMY	15/JUL/19													
CUSTOMER:															
UNLESS OTHERWISE SPECIFIED 1) All dimensions are in metric (mm). 2) Tolerances are as follows: 1 PL DEC ±0.30 2 PL DEC ±0.15 3 PL DEC ±0.08 Fractions ±1/64 Angles ±1° 3) Note reference =			Amphenol Sine Systems - www.amphenol-sine.com 44724 Morley Drive Clinton Township, MI 48036												
MATERIAL SPECIFICATIONS: PROCESS SPECIFICATIONS: NEXT ASSY:			CONTACT, SOCKET, STAMPED, SIZE 20, 16-22 AWG, A SERIES THIS DRAWING IS SUPPLIED FOR INFORMATION ONLY. DESIGN FEATURES, SPECIFICATIONS AND PERFORMANCE DATA SHOWN HEREON ARE THE PROPERTY OF THE AMPHENOL CORPORATION. NO RIGHTS OF REPRODUCTION ARE IMPLIED. ALL DIMENSIONS ARE SUBJECT TO NORMAL MANUFACTURING VARIATIONS.												
SIZE: B C- SCALE: NONE		DWG NO: AT62-20-02XX REVISION: A1	SHEET 1 OF 1												

TITLE: CONTACT SOCKET, STAMPED, SIZE 20, 16-22 AWG, A SERIES
 DWG NO: AT62-20-02XX
 REV: A1
 SH: 1
 OF: 1