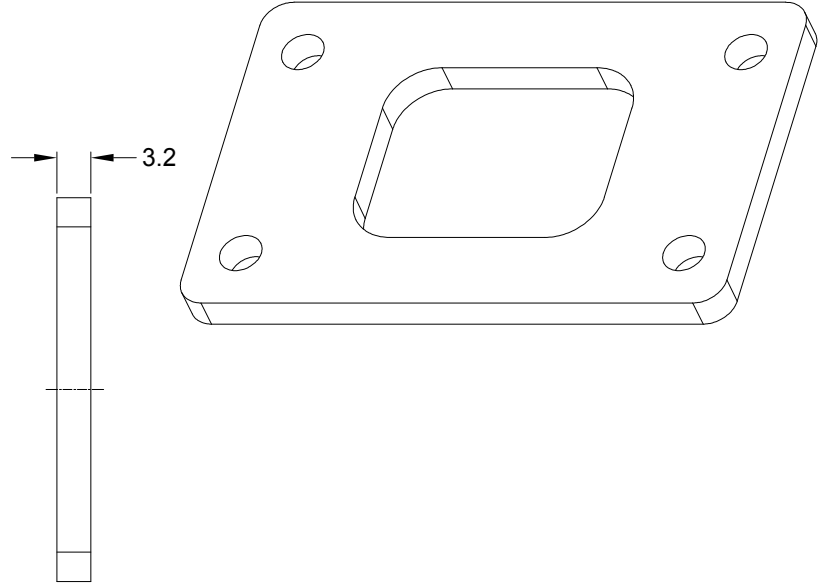
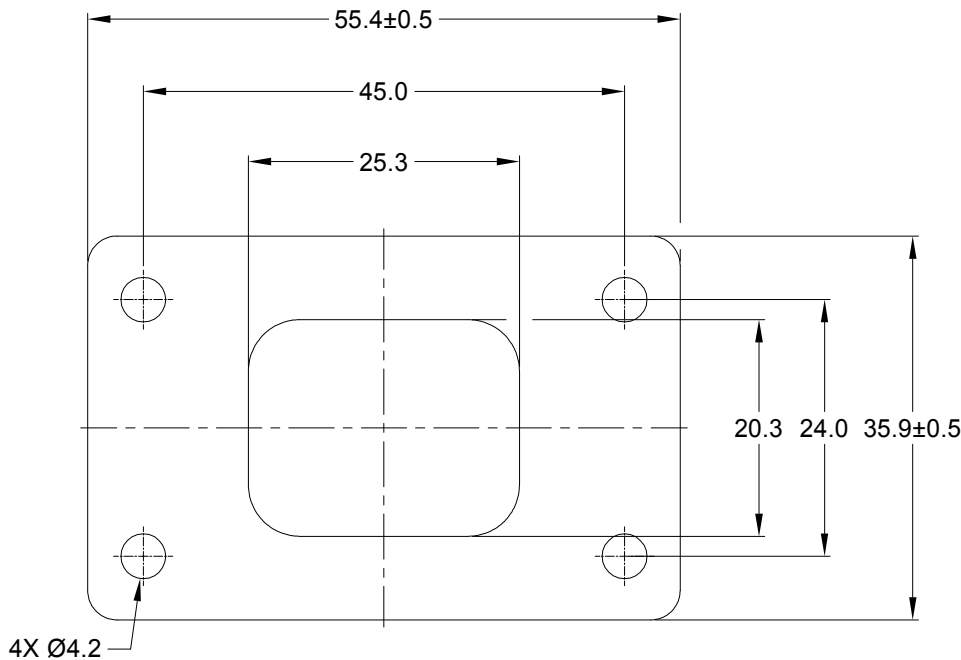


REVISIONS					
REV	ECO	DESCRIPTION	DATE	BY	APPR
A1	--	RELEASE NEW PRODUCT	04/SEP/19	JOE	TOMMY



NOTES: UNLESS OTHERWISE SPECIFIED

1. MATERIAL: CLD CELL SPONGE
2. COLORS: BLACK
3. RoHS COMPLIANT
4. USE WITH AT04-08P*-L012/LE11/CLXX (*=A,B,C,D KEYS, XX=ALL MODIFICATIONS)
5. ALL DIMENSIONS ARE FOR REFERENCE USE ONLY.

AT8P-L012-GKT		REF:DT8P-L012-GKT	
PART NUMBER		DESCRIPTION	
QUANTITY	MATERIALS LIST		
<p>UNLESS OTHERWISE SPECIFIED</p> <p>1) All dimensions are in metric(mm).</p> <p>2) Tolerances are as follows:</p> <p>1 PL DEC ±0.30 Fractions ±1/64</p> <p>2 PL DEC ±0.15 Angles ±1°</p> <p>3 PL DEC ±0.08</p> <p>3) Note reference = </p>	SIGNATURES		DATE
	DRAWN: JOE.SONG		04/SEP/19
	CHECKED: ORION.LI		04/SEP/19
	ENGINEER:		
APPROVAL: TOMMY.XIE		04/SEP/19	
MATERIAL SPECIFICATIONS:		CUSTOMER:	
PROCESS SPECIFICATIONS:		THIS DRAWING IS SUPPLIED FOR INFORMATION ONLY. DESIGN FEATURES, SPECIFICATIONS AND PERFORMANCE DATA SHOWN HEREON ARE THE PROPERTY OF THE AMPHENOL CORPORATION. NO RIGHTS OF REPRODUCTION ARE IMPLIED. ALL DIMENSIONS ARE SUBJECT TO NORMAL MANUFACTURING VARIATIONS.	
NEXT ASSY:			
		SIZE: A	TYPE: C-
		DWG NO: AT8P-L012-GKT	
		REVISION: A1	
		SCALE: NONE	SHEET 1 OF 1

Amphenol

Sine Systems - www.amphenol-sine.com
44724 Morley Drive
Clinton Township, MI 48036

GASKET,RECEPTACLE,8 PIN,AT SERIES