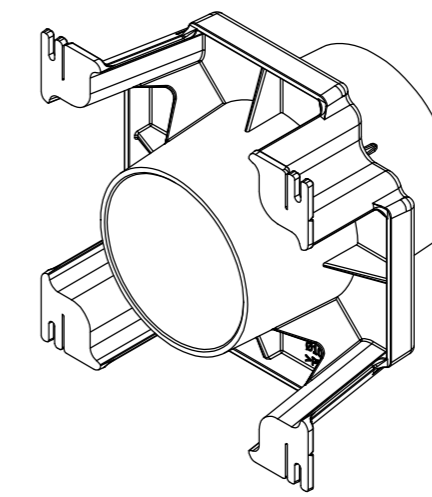
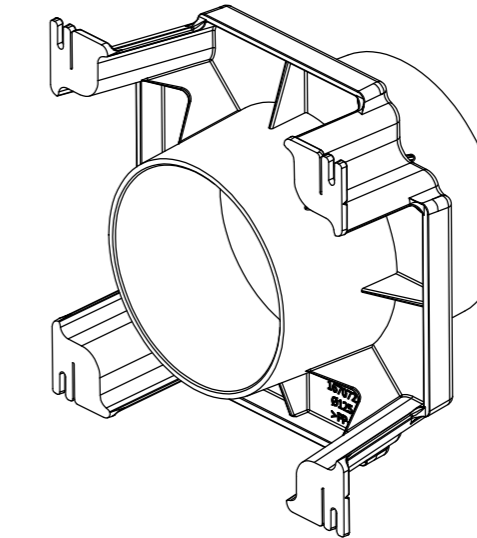


### KNOCK OUT SLEEVES

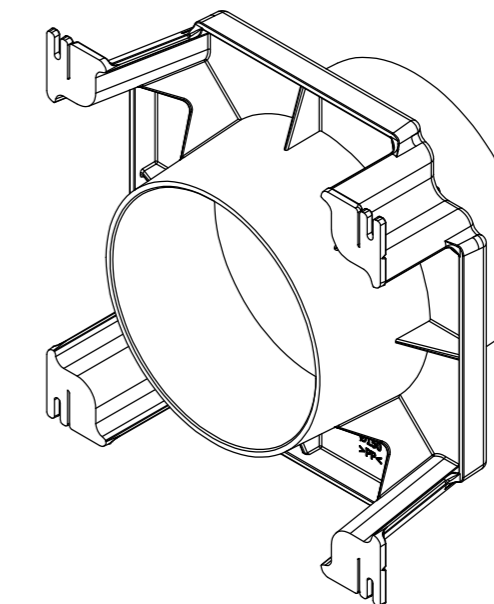
SIZE	W (mm)	ØA (mm)	ØB (mm)	L (mm)
KOS 100/110	200	102	111	184
KOS 125/140	225	127	141	209
KOS 150/160	250	152	161	234
KOS 200/200	300	202	201	284



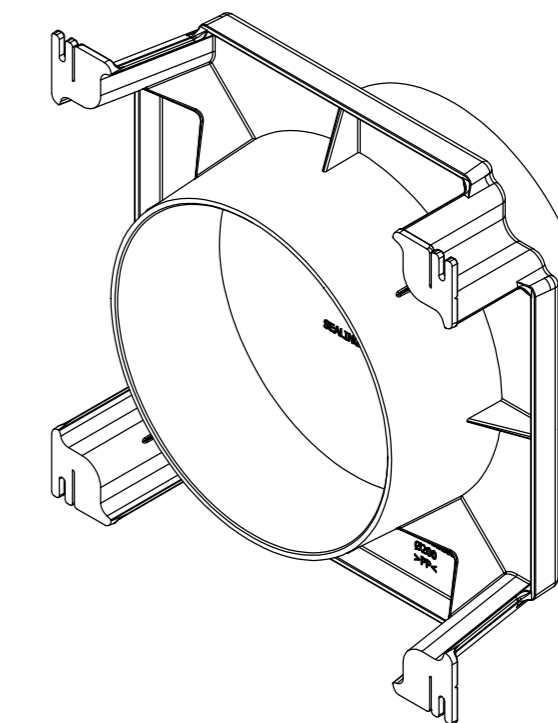
KOS 100



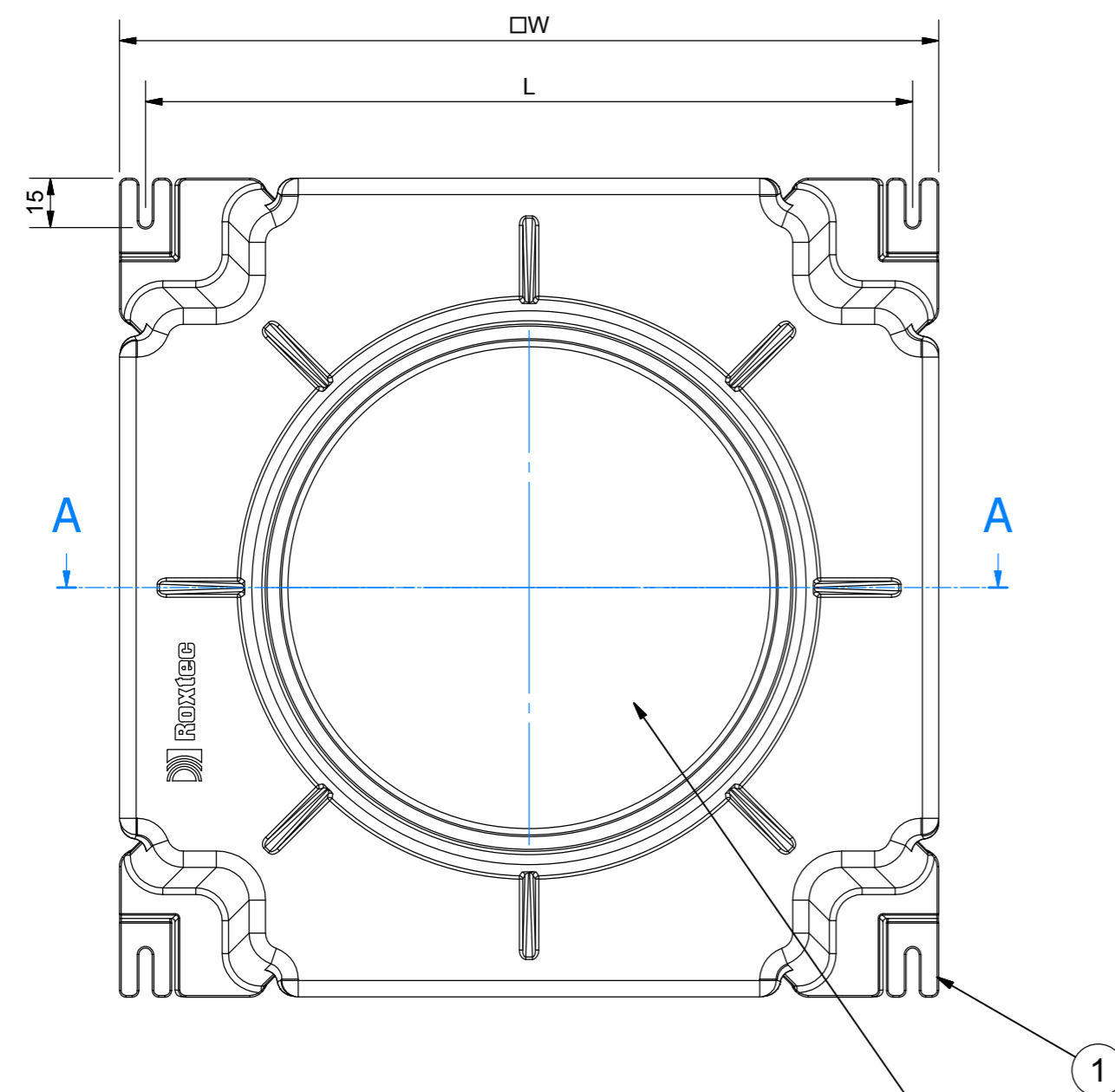
KOS 125



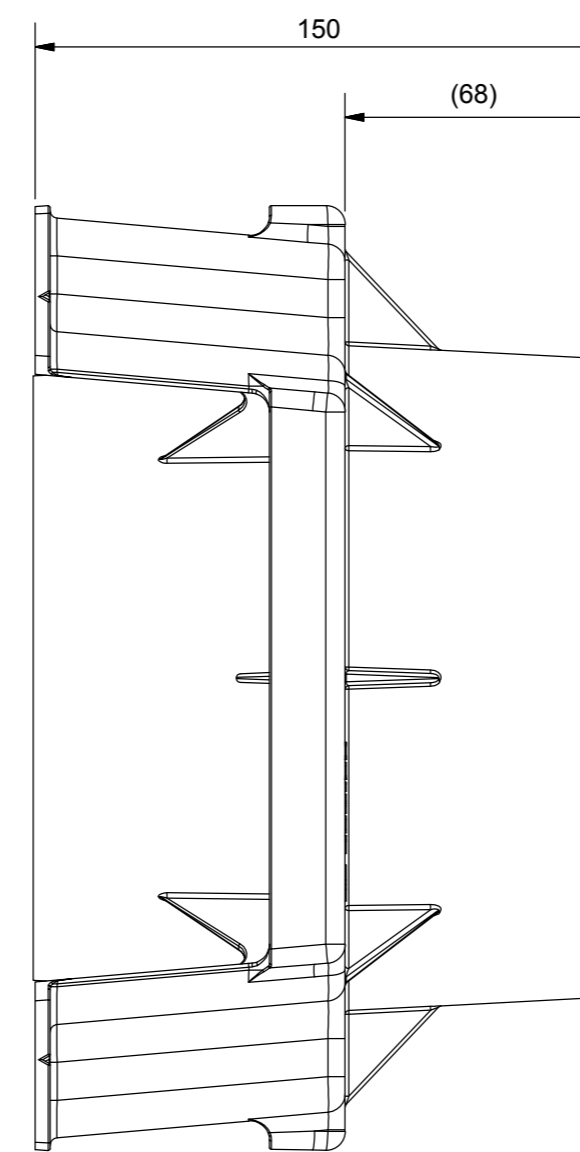
KOS 150



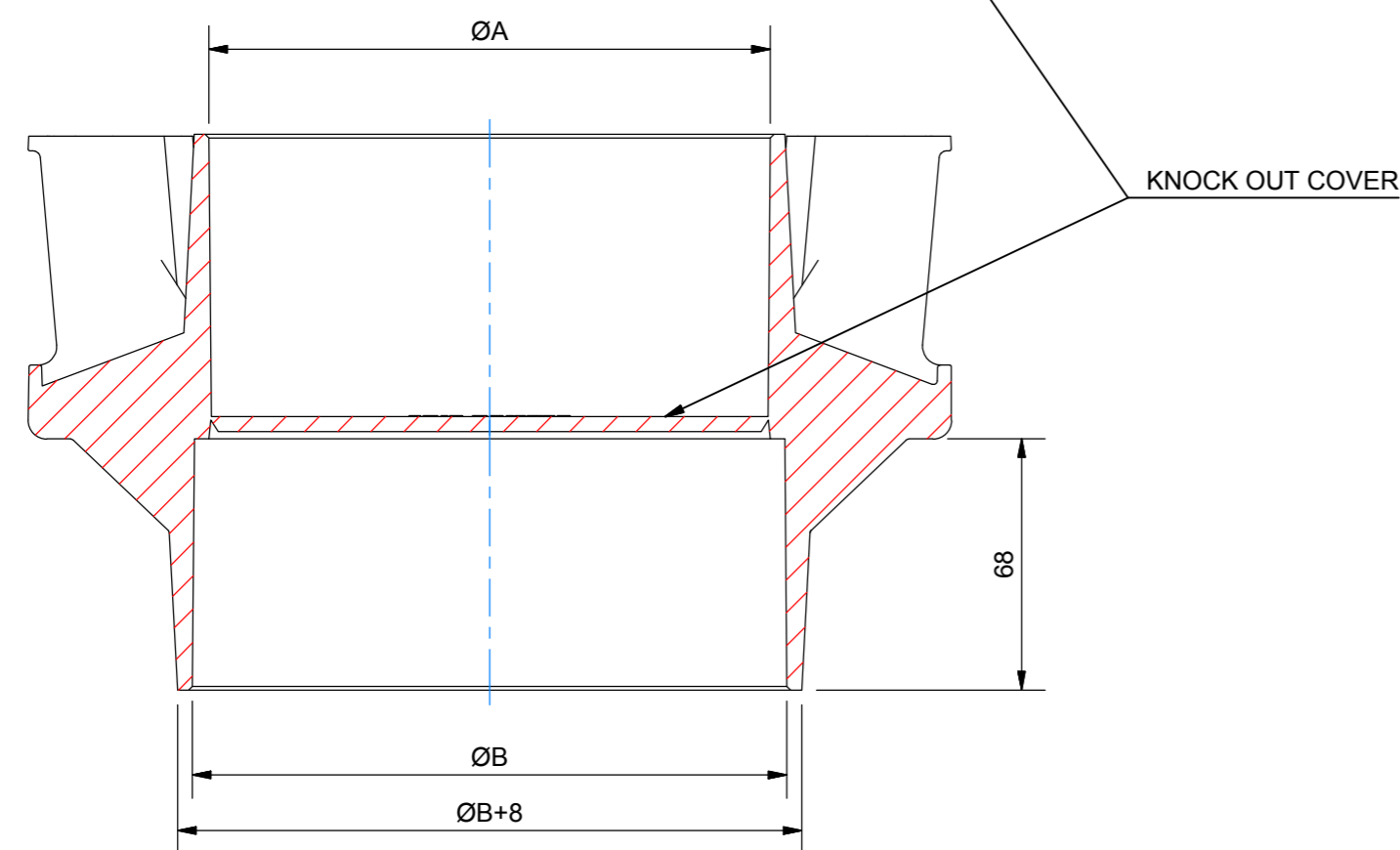
KOS 200



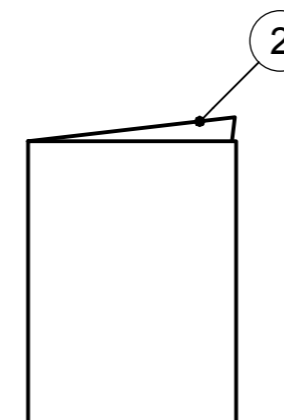
SEALING SIDE



BACKSIDE/  
EXTENSION SIDE



A-A (1:1)



2	1	INSTALLATION INSTRUCTION	
1	1	KNOCK-OUT SLEEVE	PP COPOLYMER
ITEM QTY		Designation	Specification
General tolerance: ISO 2768-1/2-m/K		Designed by/date: se-jenboh 2013-09-13	Approved by/date: se-henols 2014-12-18
Welded details: EN ISO 13920-BF		General surface roughness: Ra 12.5	Format: A2
		Scale: 1:2	Projection method: 1st angle
		<b>Roxtec</b> KNOCK OUT SLEEVES ASSEMBLY	
www.roxtec.com		Information drawing	Drawing number: S1035443
Rev		Type of revision	Weight: F

F	DIM. ADDED. ECN-000638.	2016-11-02	se-larlal
Rev	Type of revision	Date	Sign

格克赛克保留所有权利。未经授权严禁复制，使用以及向第三方泄露。

All rights reserved. Unauthorized reproduction, use or disclosure to third parties is strictly forbidden.