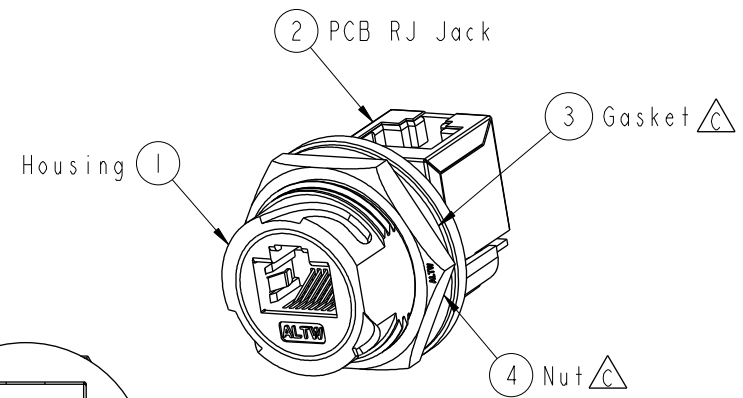
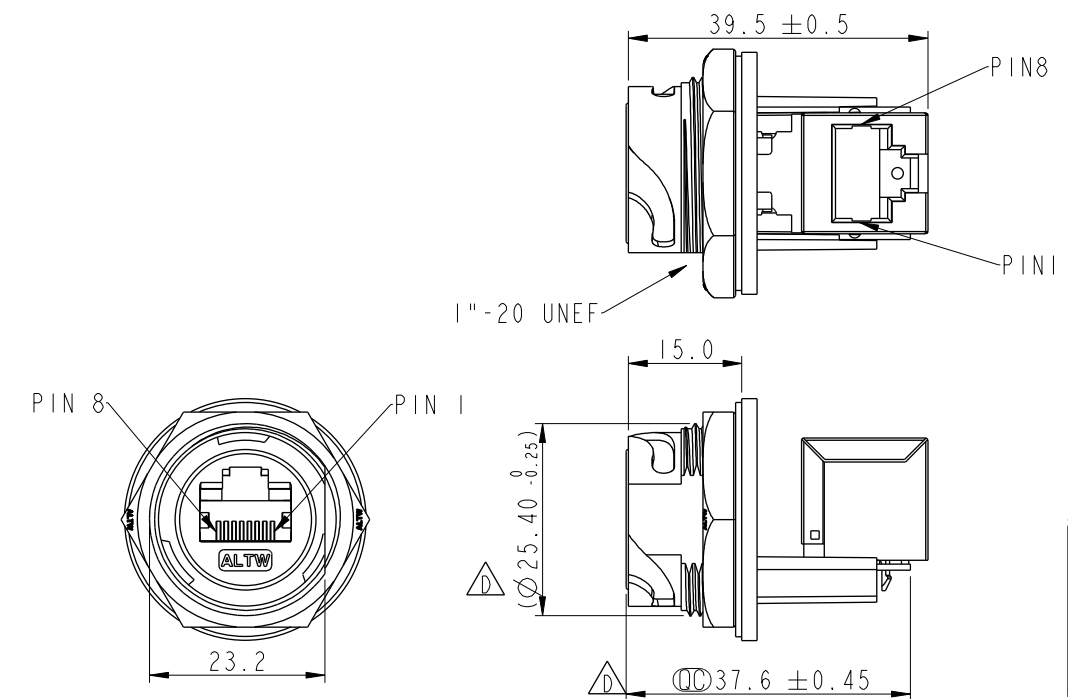
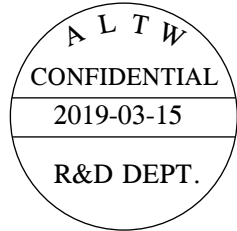
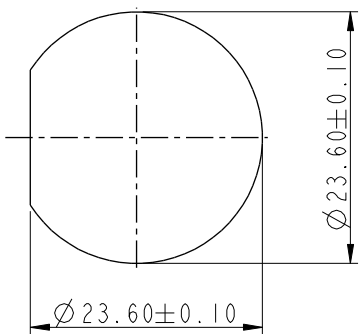


REV.	ECN NO.	DATE	SIGN	DESCRIPTION
D	LEN1810063	2017-11-29	Jalam	Change The Tolerance
E	CI90405	2019/03/15	Ruru	Modify Note



- Note: \triangle
- * CC Important Dimension
 - * Waterproof Rate: IP67, Unmated
 - * Housing: Thermoplastic, Black
 - * Nut: Thermoplastic, Black
 - \triangle * Gasket: Rubber, Gray
 - * PCB: FR-4
 - \triangle * Jack: Thermoplastic, Black
 - * Use with waterproof cap or dust cap for Panel Thickness Max: 1.3mm
 - * Use without waterproof cap or dust cap for Panel Thickness Max: 2.5mm
 - * Screw torsion value range: 8-15kgf-cm
 - * Gasket and Nut are packed separately in PE bags



UNIT: mm	CC	CC
TOLERANCE		
.X	± 0.25	
.XX	± 0.1	
.XXX	± 0.05	
ANGLES	$\pm 1^\circ$	

TITLE RJ45, D SIZE, WATERPROOF			
SCALE 1:1	SIZE A4	SHEET 1 OF 1	
REV. E	WC-REV. A.8	CC : Inspection item	

Amphenol LTW
安費諾亮泰企業股份有限公司

ITEM NO. RDP-5SPFFV-TCU7001	DRAWN BY Ruru	DATE 2019-03-15
DWG NO. RDP-5SPFFV-TCU7001	CHECKED BY Rita	DATE 2019-03-15
CUSTOMER ALTW	APPROVED BY Max	DATE 2019-03-15

THIS DOCUMENT IS SUBJECT TO CHANGE WITHOUT NOTICE. IT IS CONFIDENTIAL AND A PROPERTY OF Amphenol LTW. DISCLOSURE TO THIRD PARTY HAS TO BE AUTHORIZED BY Amphenol LTW.