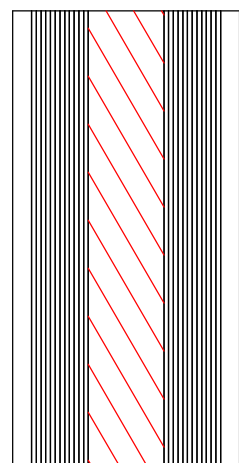
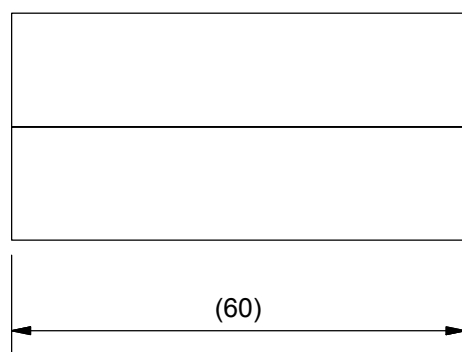
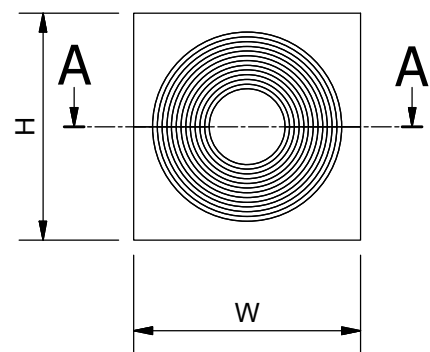


RM UG MULTIDIAMETER MODULES

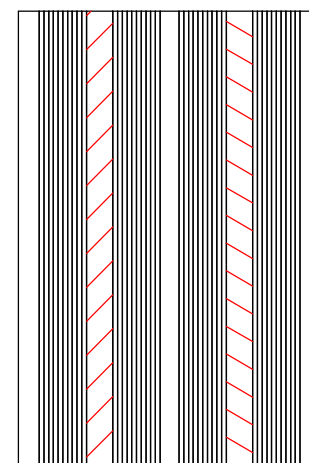
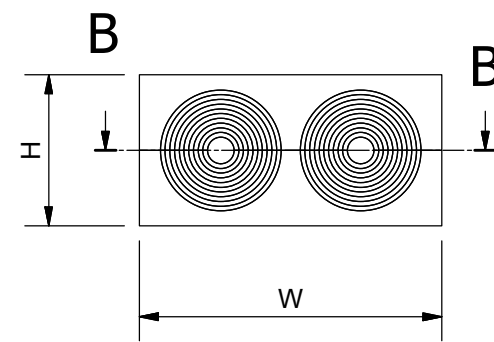
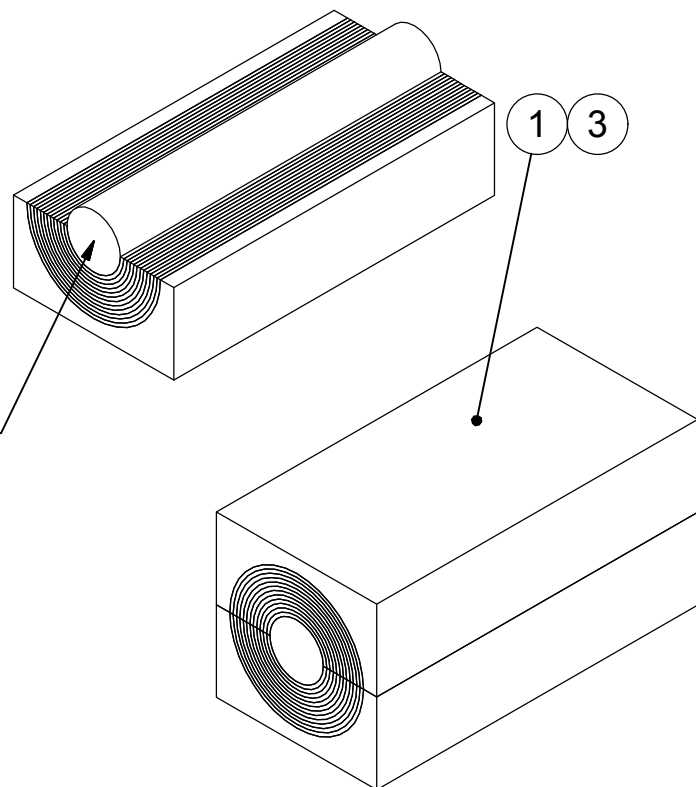
TYPE	W (mm)	H (mm)	CABLE RANGE	ITEM
RM 20 UG	20	20	Ø0+4-13	1
RM 20w40 UG	40	20	Ø0+4-13	2
RM 30 UG	30	30	Ø0+10-23.5	1
RM 40 UG	40	40	Ø0+9.5-31	1
RM 60 UG	60	60	Ø0+24-52	1
RM 80 UG	80	80	Ø0+48-68	1
RM 90 UG	90	90	Ø0+48-68	1
RM 120 UG	120	120	Ø0+67.5-96	1
RM 80 UG WOC	80	80	Ø48-68	3
RM 90 UG WOC	90	90	Ø48-68	3
RM 120 UG WOC	120	120	Ø67.5-96	3

烙克赛克保留所有权利。未经授权严禁复制，使用以及向第三方泄露。

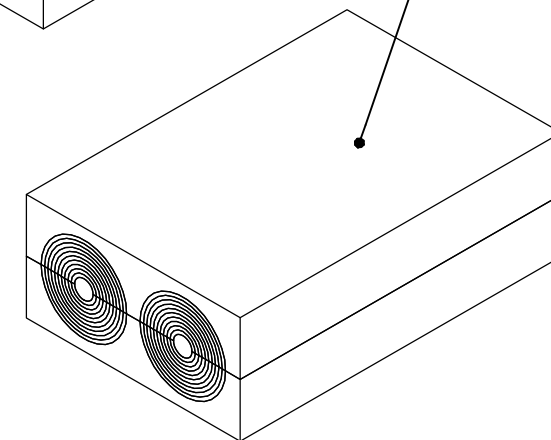
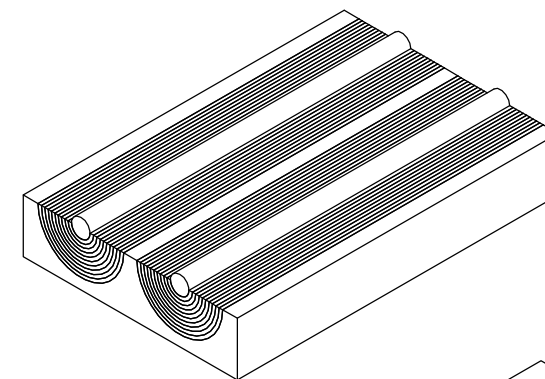
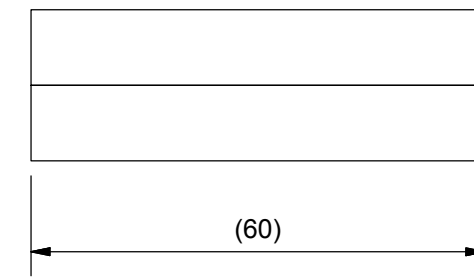


A-A (1:1)

*NOTE:
WOC VERSIONS
WITHOUT CORE



B-B (1:1)



C	SIZE 80, 90, 120 ADDED	2017-03-13	se-jenboh
Rev	Type of revision	Date	Sign

1-3	-	RM UG MODULES	ROXYLON HE		
ITEM	QTY	Designation	Specification	Weight	
General tolerance: ISO 2768-1/2-m/K EN ISO 13920-BF		Welded details: EN ISO 5817-B EN ISO 10042-B		General surface roughness: Ra 12.5	
Designed by/date se-jenboh 2013-09-04		Latest save date 2017-03-16		Format A3	Scale 1 / 1
Title RM UG MODULES ASSEMBLY		Drawing number S1035179		TotWeight N/A	
www.roxtec.com		Information drawing		Projection method First Angle	
Restricted due to		Rev C			