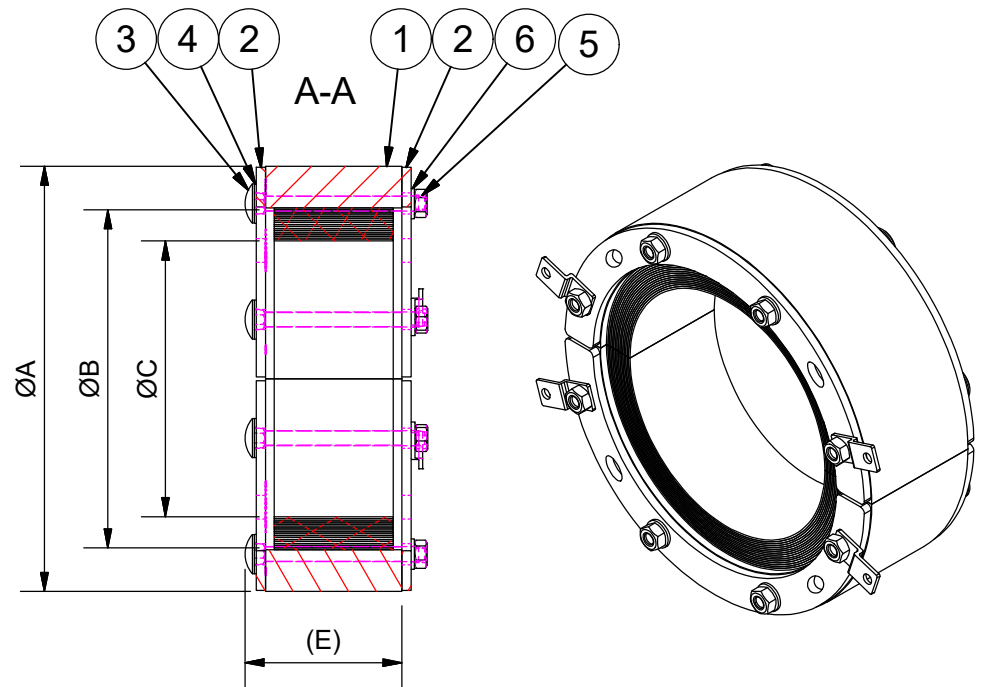
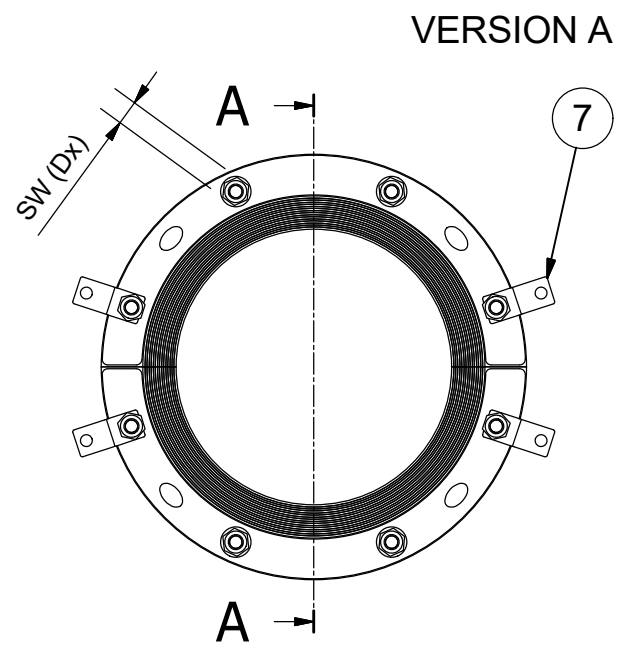
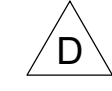


洛克赛克保留所有权利。未经授权严禁复制、使用以及向第三方泄露。

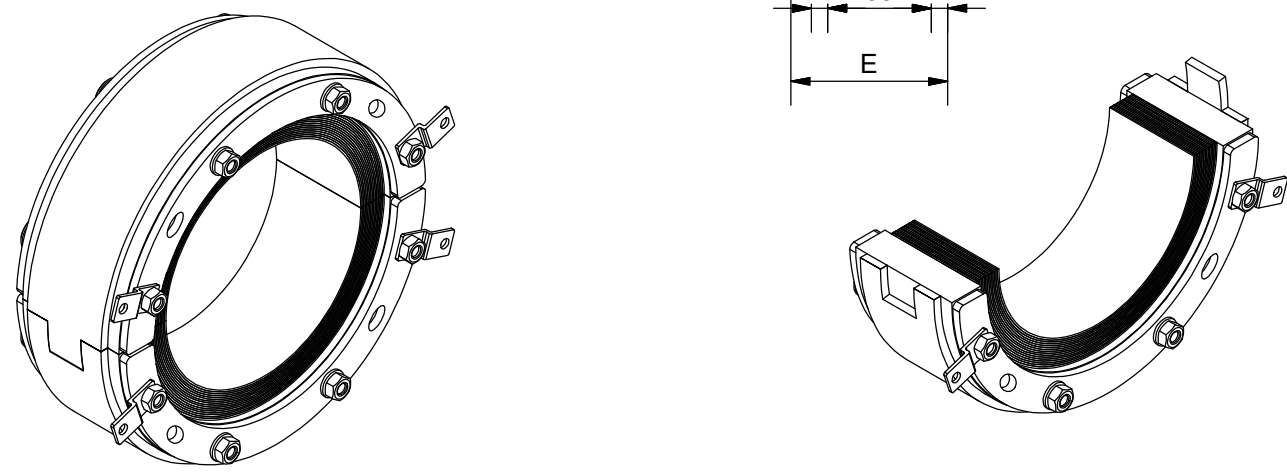
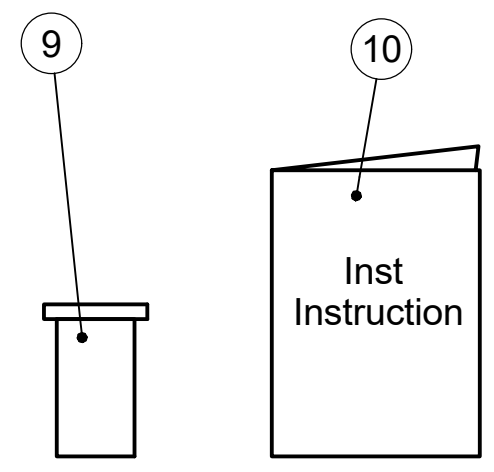
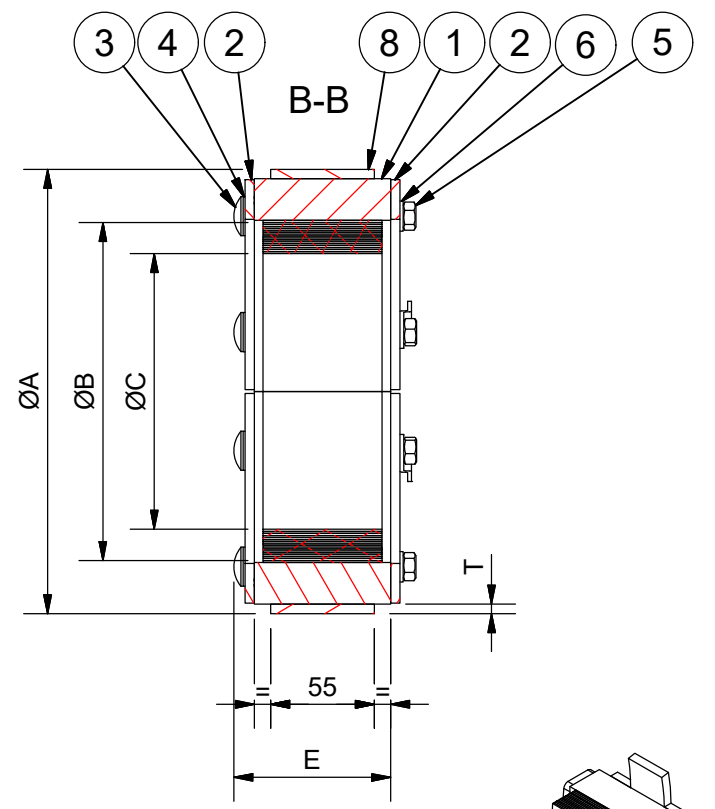
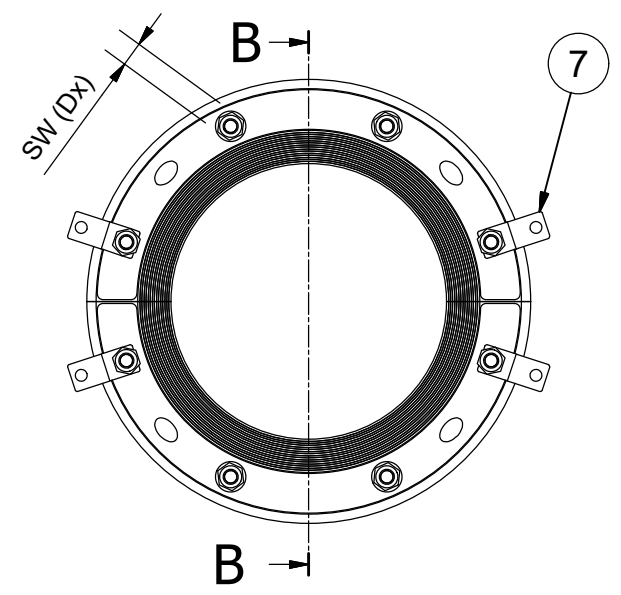
All rights reserved. Unauthorized reproduction, use or disclosure to third parties is strictly forbidden.



TYPE	SIZE A (MM)	APERTURE (MM)	RANGE C-B (MM)	D (QTY)	SW (MM)	E (MM)	VER.	T (MM)
RS 200 UG WOC	200	200-205	130-163	8	10	83	A	-
RS 205 UG WOC	205	205-210	130-163	8	10	83	B	2.5
RS 210 UG WOC	210	210-215	130-163	8	10	83	B	5
RS 225 UG WOC	225	225-230	146-179	8	13	83	A	-
RS 230 UG WOC	230	230-235	146-179	8	13	83	B	2.5
RS 235 UG WOC	235	235-240	146-179	8	13	83	B	5
RS 250 UG WOC	250	250-255	171-204	10	13	80	A	-
RS 255 UG WOC	255	255-260	171-204	10	13	80	B	2.5
RS 260 UG WOC	260	260-265	171-204	10	13	80	B	5



VERSION B



ITEM	QTY	Designation	Specification	Weight
10	1	INSTALLATION INSTRUCTION		
9	1	LUBRICANT	25 ml	
8	2	OUTER DIAMETER EXTENSION	ROXYLON HE (NOT ON VERSION A)	
7	4	STOP FLANGE	S1020239	
6	D-4	WASHER	M6/ M8 A4	
5	D	NUT	M6/ M8 A4	
4	D	GASKET MVBF	M6/ M8, EPDM T=1	
3	D	SCREW	MVBF M6/ M8x90 A4	
2	4	FITTING	ACID PROOF STAINLESS STEEL	
1	2	RUBBER FRAME	ROXYLON HE	

General tolerance: ISO 2768-1/2-m/K EN ISO 13920-BF		Welded details: EN ISO 5817-B EN ISO 10042-B		General surface roughness: Ra 12.5		Designed by/date se-larlar 2017-05-15		Latest save date 2018-06-01		Format A3		Scale 1 / 1		Sheet no 1 / 1		TotWeight	
 www.roxtec.com		Title RS UG PRODUCTS RS 200-260 UG WOC								Projection method 		Restricted due to Information drawing		Drawing number S1522905		Rev D	

D	ECN-001415	2018-10-01	se-tontor
Rev	Type of revision	Date	Sign