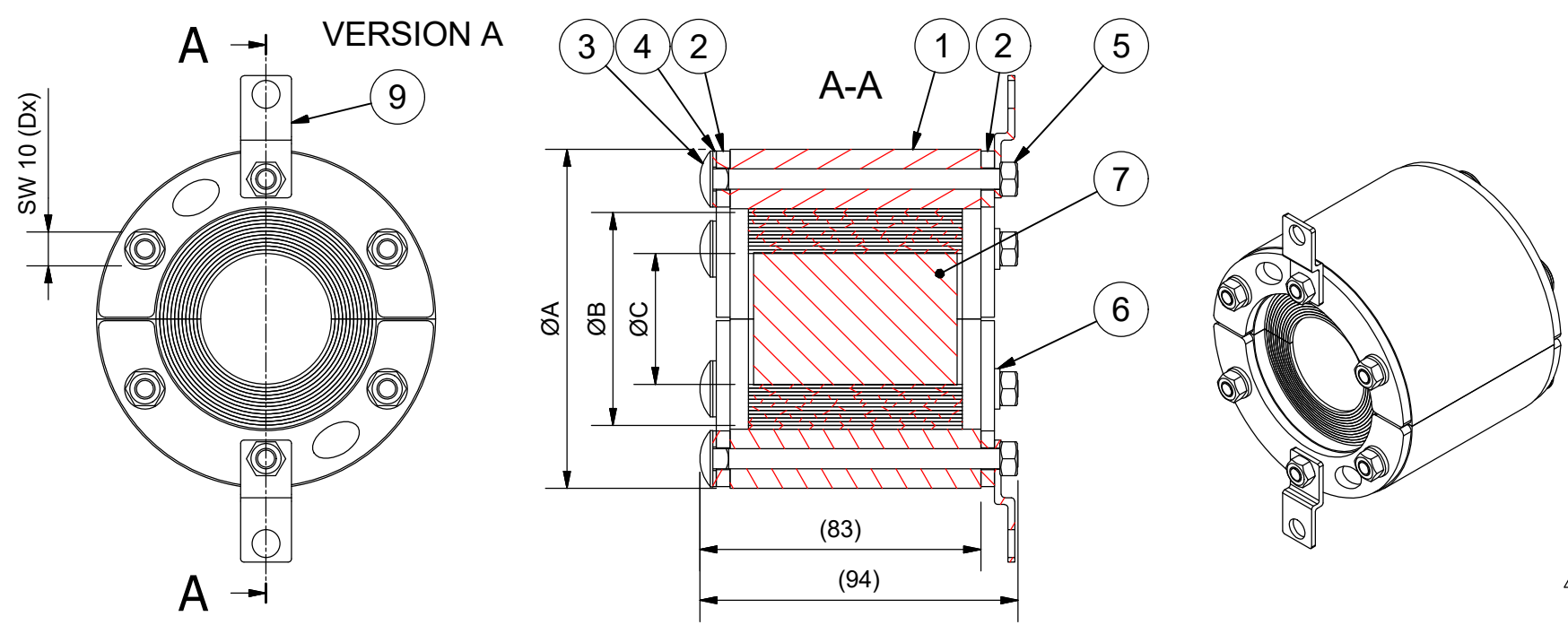


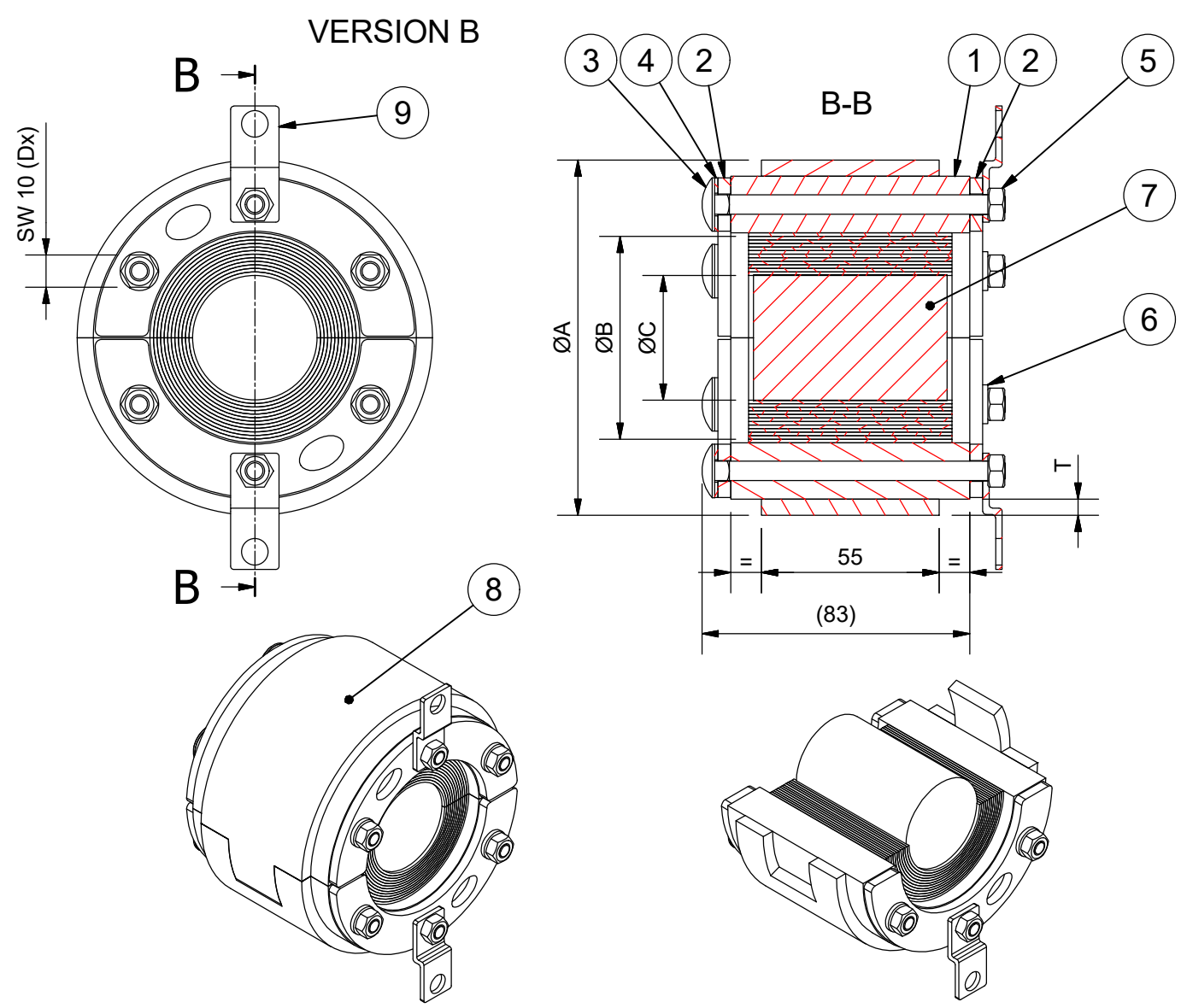
烙克赛克保留所有权利。未经授权严禁复制，使用以及向第三方泄漏。

All rights reserved. Unauthorized reproduction, use or disclosure to third parties is strictly forbidden.

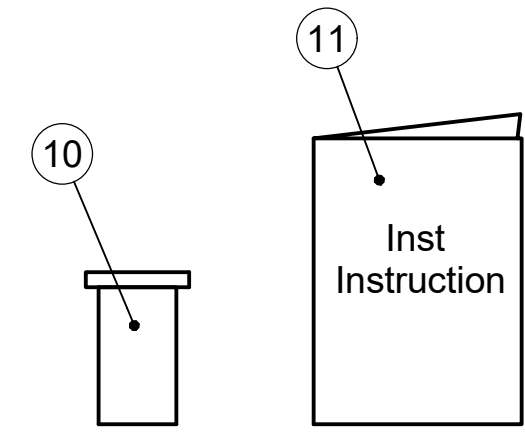
Rev 2.0



PRODUCT	APERTURE A (MM)	RANGE C-B (MM)	D (QTY)	E (QTY)	VER.	T (MM)
RS 70 UG	70-75	9-33	4	2	A	-
RS 75 UG	75-80	9-33	4	2	B	2.5
RS 80 UG	80-85	9-33	4	2	B	5
RS 90 UG	90-95	24-53	6	2	A	-
RS 95 UG	95-100	24-53	6	2	B	2.5
RS 100 24-53 UG	100-105	24-53	6	2	B	5
RS 100 UG *	100-105	39-63	6	2	A	-
RS 105 UG *	105-110	39-63	6	2	B	2.5
RS 110 UG *	110-115	39-63	6	2	B	5
RS 125 UG *	125-130	55-88	6	2	A	-
RS 130 UG *	130-135	55-88	6	2	B	2.5
RS 135 55-88 UG *	135-140	55-88	6	2	B	5
RS 135 UG *	135-140	65-98	6	2	A	-
RS 140 UG *	140-145	65-98	6	2	B	2.5
RS 145 UG *	145-150	65-98	6	2	B	5
RS 150 UG WOC	150-155	80-113	8	4	A	-
RS 155 UG WOC	155-160	80-113	8	4	B	2.5
RS 160 UG WOC	160-165	80-113	8	4	B	5
RS 185 UG WOC	185-190	114-148	8	4	A	-
RS 190 UG WOC	190-195	114-148	8	4	B	2.5
RS 195 UG WOC	195-200	114-148	8	4	B	5



\* ALSO AVAILABLE AS WOC VERSION.  
WOC VERSION IS WITHOUT CENTER CORE.



11	1	INSTALLATION INSTRUCTION		
10	1	LUBRICANT	10 ml	
9	2	STOP FLANGE	S1020239	0
8	2	OUTER DIAMETER EXTENSION	ROXYLON HE (NOT ON VERSION A)	
7	1	CORE	ROXYLON (NOT IN WOC VERSIONS)	
6	D-E	WASHER	ISO 7089 M6 A4	
5	D	NUT	ISO 4032 M6 A4	
4	D	GASKET MVBF	M6, EPDM T=1	
3	D	SCREW	DIN 603 MVBF M6x90 A4	
2	4	FITTING	ACID PROOF STAINLESS STEEL	
1	2	RUBBER FRAME	ROXYLON HE	

G	TABLES UPDATED	2019-05-27	se-linado
Rev	Type of revision	Date	Sign

ITEM	QTY	Designation	Specification	Weight
General tolerances used for manufacturing shown in document DOC-002180		Designed by/date se-ronpet 2016-04-15	Latest save date 2019-06-12	Format A3
Scale 1 / 1		Sheet no 1 / 1	TotWeight 0,8 kg	
Title RS UG SEALING RS 70-195 UG		Drawing number S1511690		Projection method G
Restricted due to www.roxtec.com		Information drawing		Rev G

Information drawings show general design and nominal dimensions if not else stated