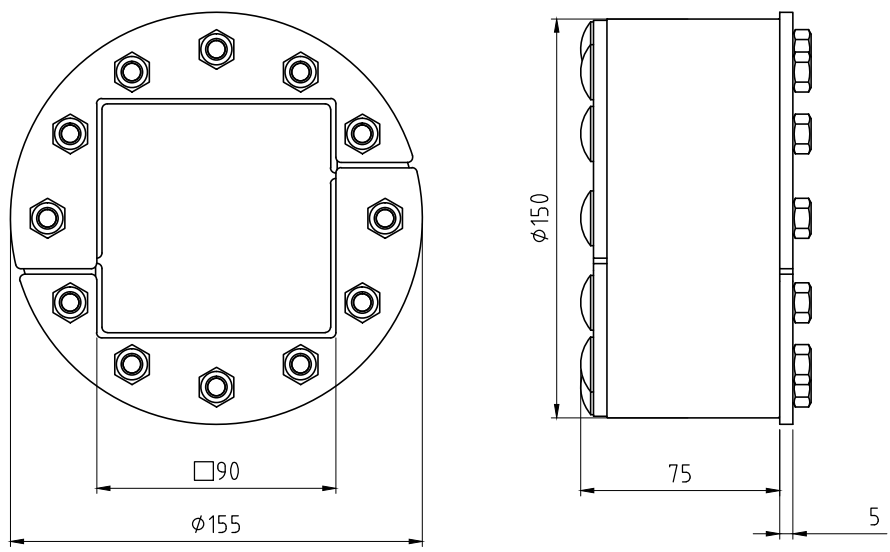
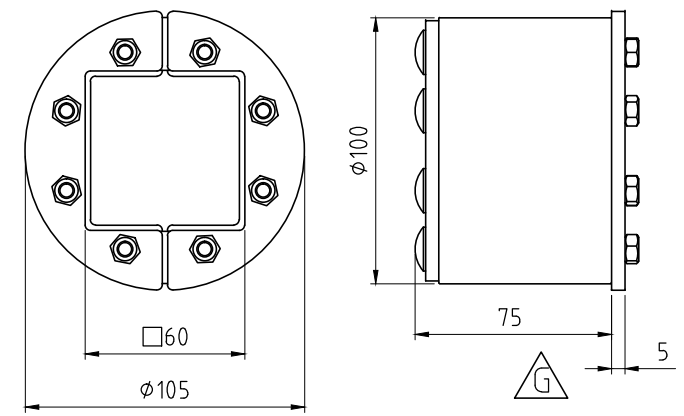
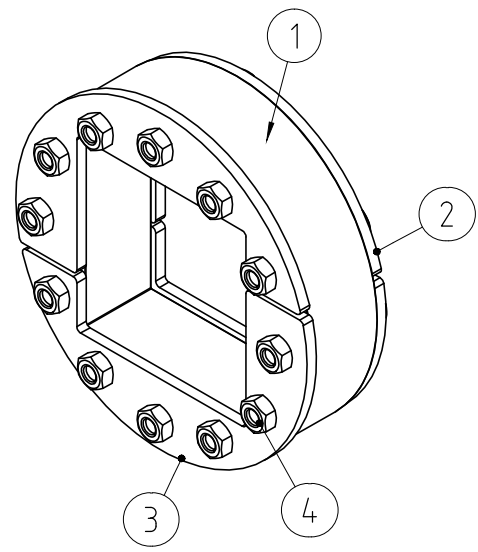


格克赛克保留所有权利。未经授权严禁复制，使用以及向第三方泄露。

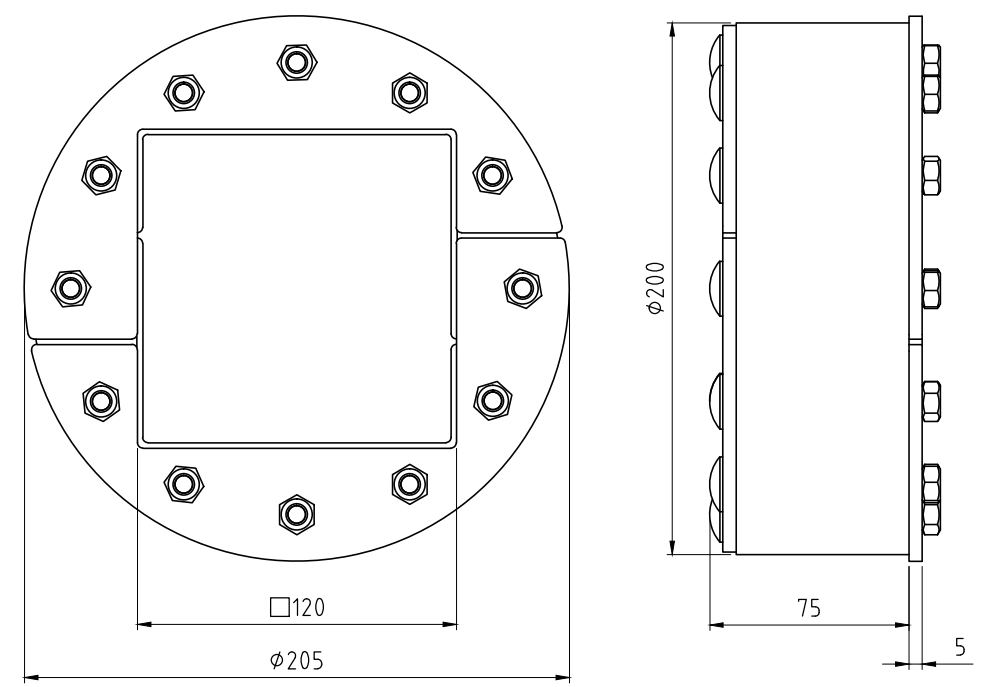
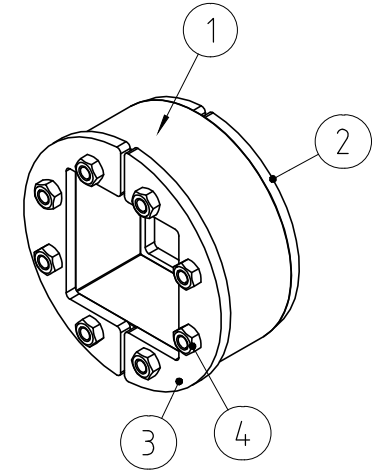
All rights reserved. Unauthorized reproduction, use or disclosure to third parties is strictly forbidden.



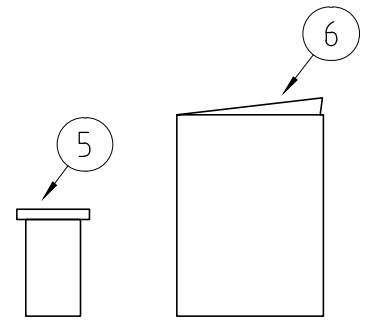
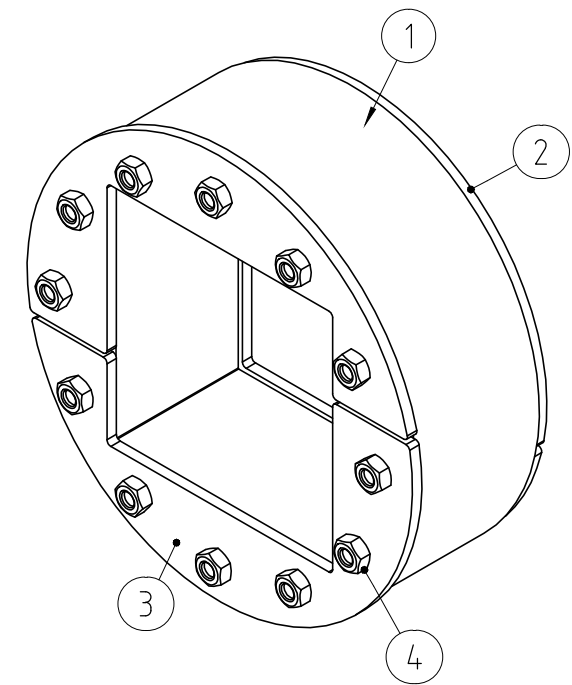
R 150 UG FRAME



R 100 UG FRAME



R 200 UG FRAME



LUBRICANT AND INSTALLATION INSTRUCTION INCLUDED.

Item	Qty	Designation	Specification	Net Weight
6	1	INST. INSTRUCTION		
5	1	LUBRICANT	TALLOW 25ML	
4	-	FASTENERS	ACID PROOF STAINLESS STEEL	
3	2	REAR FITTING	ACID PROOF STAINLESS STEEL	
2	2	FRONT FITTING	ACID PROOF STAINLESS STEEL	
1	1	FRAME	ROXYLON HE	

General Intolerance ISO 2768-MTS	Welded details EN ISO 5817-B	General surface roughness, Ra 12.5	Designed by se-jenboh	Created Date 2013-09-13	Latest save date 2016-08-23	Format A2	Scale 1:2	Sheet no	Net Weight -
<b>Roxtec</b> www.roxtec.com			Title R UG SERIES FRAME ASSEMBLY Restricted due to			Drawing number S1035437		Projection method 	Rev G

G	DIMENSION CHANGED FROM 45	2016-08-23	se-henols
Rev	Type of revision	Date	Sign